

STA-RITE® ProJet™ SN Series

Cast iron, self-priming shallow well jet pumps



The ProJet SN Series Pumps provide excellent performance with good pressure for wells to 25' deep. Self-priming after the priming chamber has been filled with water.

APPLICATIONS

Water systems and sprinkling... for homes, farms and cottages.

SPECIFICATIONS

Max. Liquid Temperature: 140°F

Max. Inlet Pressure: 50 PSI

Average Priming Time (in minutes) at 15 Feet:

SNC = 2.3; SND = 1.7

SNE = 1.3; SNF = 1.1

Average Priming Time (in minutes) at 25 Feet:

SNC = 6.4; SND = 4.4

SNE = 4.4; SNF = 2.6

Body: Close-grained cast iron

Nozzle: High-strength Lexan®

Venturi: Lexan

Impeller: Noryl®

Diffuser: Reinforced polypropylene

Shaft: One-piece threaded, 416 grade stainless steel

Base: Steel, 12 gauge

FEATURES

Quality Construction: Close-grained cast iron body. Drain port provided for easy winterizing.

Built-in Jet: High-strength Lexan nozzle and venturi for maximum resistance to corrosion and abrasion. Cleanout plug provided for ease of service.

Noryl Impeller: Precision-molded for perfect balance...ultra-smooth for highest performance and efficiency.

Precision-Molded Diffuser: Pump primes faster, handles more air, with multi-port, precision-molded, reinforced polypropylene diffuser.

Mechanical Shaft Seal: Precision lapped and highly polished carbon-ceramic, stainless steel construction. Internal design guarantees continuous water lubrication.

Motor Windings: Superior insulation materials protect against excessive moisture and contaminants...assure prolonged motor life.

Balanced Rotor: Diecast under high pressures for uniform performance and greater efficiency, dynamically balanced.

Heavy-Duty Ball Bearings: Shielded, permanently lubricated bearings, extensively tested to ensure extended life and smooth, quiet operation.

Pump and Motor Shaft: Stainless steel for maximum corrosion resistance; one-piece threaded shaft for positive impeller drive and alignment.

Dustproof Cover: All electrical components are protected from dirt, dust and insects by a dustproof canopy; ventilating air cannot contaminate vital switching components.

Pressure Switch: Professional quality, allows cut-in adjustments.

ORDERING INFORMATION

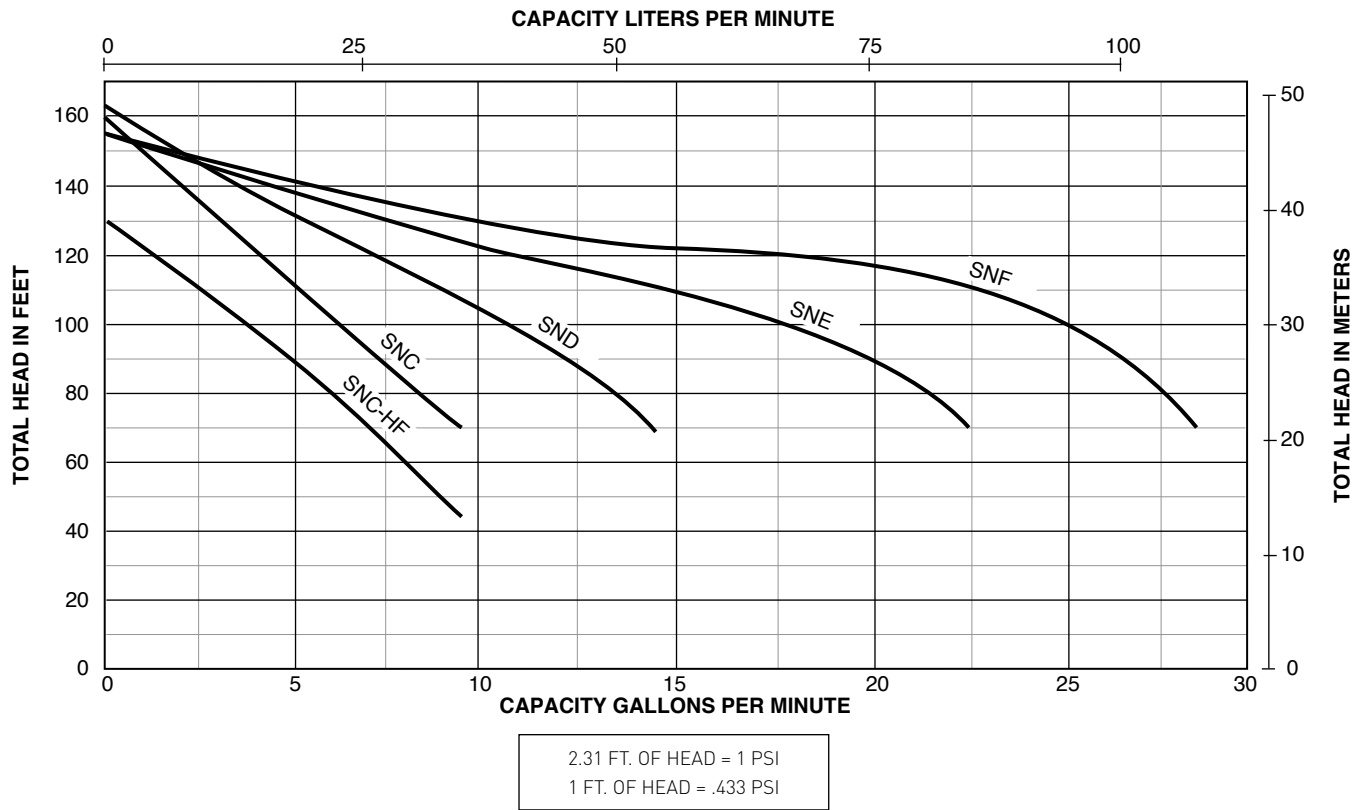
| CATALOG NUMBER | HP | SWITCH SETTING | DESCRIPTION | PIPE TAPPING SIZES | | MOTOR VOLTAGE | APPROX. WT. LBS. |
|----------------|-------|----------------|---------------------------|--------------------|-----------|---------------|------------------|
| | | | | SUCTION | DISCHARGE | | |
| SNC-HF25L | 1/2 | 20-40 | Hi Flow, Shallow Well Jet | 1-1/4" | 1" | 115/230 | 45 |
| SNC | 1/2 | 30-50 | Shallow Well Jet | 1-1/4" | 1" | 115/230 | 45 |
| SND | 3/4 | 30-50 | Shallow Well Jet | 1-1/4" | 1" | 115/230 | 47 |
| SNE | 1 | 30-50 | Shallow Well Jet | 1-1/4" | 1" | 115/230 | 55 |
| SNF | 1-1/2 | 30-50 | Shallow Well Jet | 1-1/4" | 1" | 115/230 | 60 |

Pentair trademarks and logos are owned by Pentair plc or its affiliates. All other third party registered and unregistered trademarks and logos are the property of their respective owners.

STA-RITE® ProJet™ SN Series

Cast iron, self-priming shallow well jet pumps

PUMP PERFORMANCE



PUMP PERFORMANCE (Capacity in gallons per minute)

| CATALOG NUMBER | HP | DISCH. PRESSURE PSI | DYNAMIC SUCTION LIFT | | | | | SHUT-OFF PRESSURE PSI |
|----------------|-------|---------------------|----------------------|------|------|------|------|-----------------------|
| | | | 5' | 10' | 15' | 20' | 25' | |
| SNC-HF25L | 1/2 | 20 | 13.7 | 12.3 | 10.6 | 8.8 | 6.3 | 56 |
| | | 30 | 11.8 | 10.6 | 9.3 | 8.2 | 6.2 | |
| | | 40 | 7.2 | 6.3 | 5.2 | 4.0 | 2.4 | |
| SNC | 1/2 | 30 | 9.7 | 8.3 | 7.4 | 5.9 | 4.3 | 70 |
| | | 40 | 7.9 | 7.2 | 6.4 | 5.6 | 4.1 | |
| | | 50 | 4.5 | 3.8 | 3.1 | 2.7 | 1.8 | |
| SND | 3/4 | 30 | 15.0 | 13.0 | 11.6 | 8.7 | 6.9 | 70 |
| | | 40 | 12.5 | 11.4 | 10.1 | 8.2 | 6.8 | |
| | | 50 | 8.0 | 6.8 | 6.1 | 4.8 | 3.5 | |
| SNE | 1 | 30 | 21.4 | 19.1 | 16.5 | 13.3 | 9.5 | 67 |
| | | 40 | 20.8 | 18.7 | 15.8 | 13.2 | 9.3 | |
| | | 50 | 13.5 | 11.6 | 10.1 | 7.4 | 2.4 | |
| SNF | 1-1/2 | 30 | 28.5 | 25.0 | 21.4 | 17.4 | 12.6 | 67 |
| | | 40 | 28.3 | 24.4 | 21.0 | 17.2 | 12.3 | |
| | | 50 | 21.5 | 18.3 | 10.9 | 3.1 | 1.6 | |

Pump will operate at all depths shown, with pressure switch set at 30-50 PSI.
 Tested and rated in accordance with Water Systems Council Standards.
 NOTE: Pumps installed with a Pro-Source® tank require a 100 PSI relief valve.
 Pumps installed with a conventional tank require a 75 PSI relief valve.
 Relief valve must be capable of relieving entire flow of pump at relief pressure.

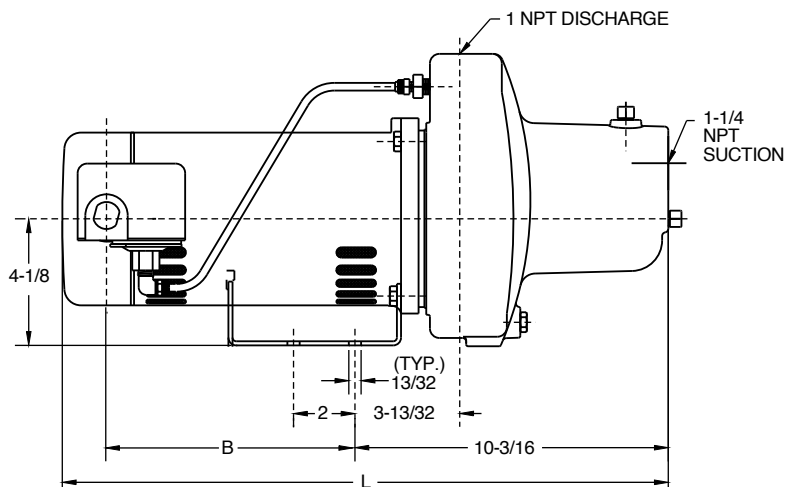
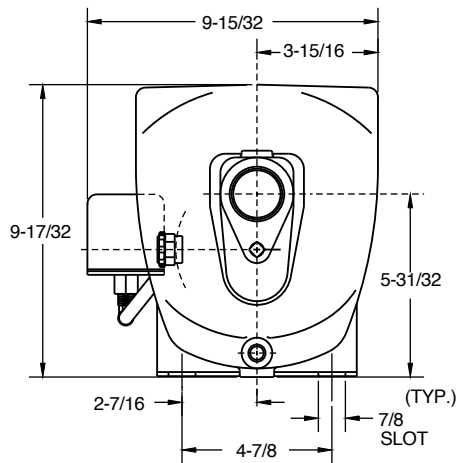
STA-RITE® ProJet™ SN Series

Cast iron, self-priming shallow well jet pumps

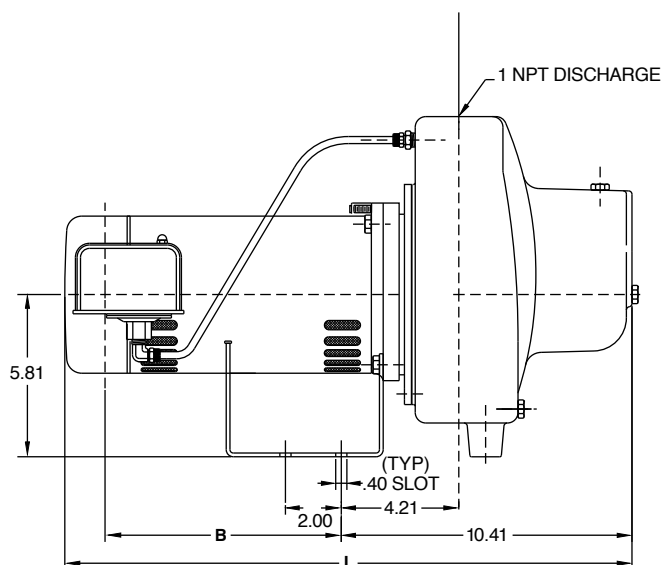
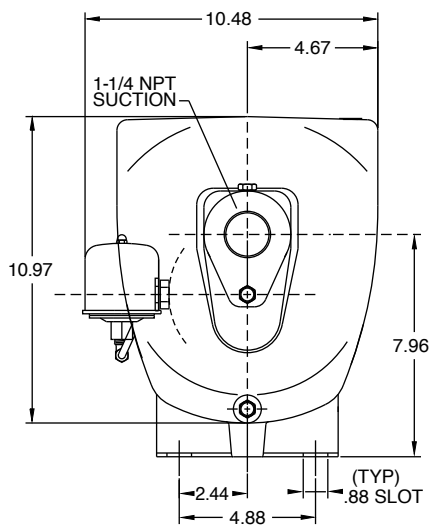
OUTLINE DIMENSIONS

| CATALOG NUMBER | L | B |
|----------------|------|-----|
| SNC | 18.7 | 7.1 |
| SND | 18.7 | 7.1 |
| SNE | 21.3 | 7.0 |
| SNF | 22.4 | 8.0 |

SNC and SND



SNE and SNF



Dimensions (in inches) are for estimating purposes only.



US: 293 WRIGHT STREET, DELAVAN, WI 53115 WWW.STA-RITE.COM PH: 888-782-7483 ORDERS FAX: 800-426-9446
CANADA: 490 PINEBUSH ROAD, UNIT 4, CAMBRIDGE, ONTARIO N1T 0A5 PH: 800-363-7867 ORDERS FAX: 888-606-5484
Because we are continuously improving our products and services, Pentair reserves the right to change specifications without prior notice.