

# Series PO3LA & PO3LB

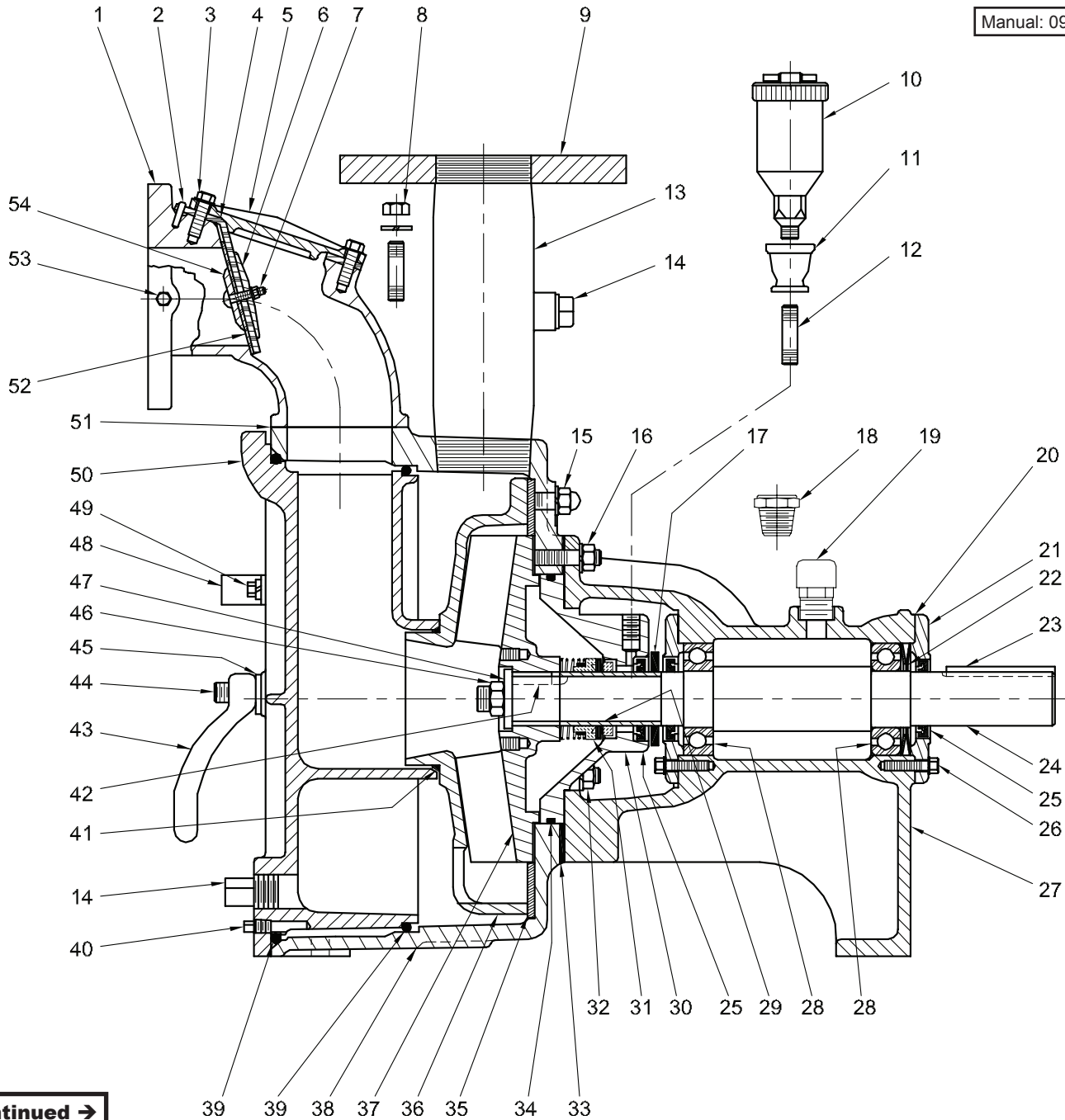
Solids Handling Motor-Driven



## BARNES • PROSSER • CROWN SERVICE PARTS

MODEL	PART NO.
PO3LA-7B	3C01D-0007B-031
PO3LA-8D	3C01D-0008D-031
PO3LB-7B	3C03D-0007B-031

Manual: 094862



Continued →

SECTION 4A  
PAGE 4  
DATE 6/10

**CRANE**

A Crane Co. Company

**PUMPS & SYSTEMS**

USA: (937) 778-8947 • Canada: (905) 457-6223 • International: (937) 615-3598



### BARNES • PROSSER • CROWN SERVICE PARTS

#### PARTS KIT

**Seal Kit, PO3LA/PO3LB.....P/N: 089077** (†) 4, 6, 10, 25, 31, 34, 39, 41, 51, 52, 54  
**Overhaul Kit, PO3LA/PO3LB.....P/N: 089088** (◆) 4, 6, 10, 17, 18, 19, 20, 25, 28, 31, 33, 34, 39, 41, 51, 52, 54

#### PARTS LIST

ITEM	QTY.	PART NO.		DESCRIPTION	
1	1	FP-4531		Elbow, Suction	3"
2	1	625-02841		Pin, Spring	1/4" Dia x 1.00" Lg
3	2	1-149-6		Screw, Hex Hd	7/16-14 x 1.25", Z.P.
	2	20-27-6		Washer, Flat	7/16", Zinc Pltd
4	1	MT-9037	† ◆	Gasket, Valve	Neoprene
5	1	P-4530		Cover, Hatch	
6	1	P-3748	† ◆	Weight, Valve	
7	1	002161	† ◆	Bolt, Carriage	1/4-20 x 1.25", Steel
	1	20-13-1	† ◆	Washer, Lock, Split	1/4", Stainless
	1	15-5-1	† ◆	Nut, Hex	1/4-20, Stainless
8	4	M-2614		Stud	1/2-13 x 2.00" Lg, Steel
	4	20-15-6		Washer, Lock, Split	1/2", Zinc Pltd
	4	15-6-6		Nut, Hex	1/2-13, Zinc Pltd
9	1	625-02121		Flange, Companion	3"
10	1	M-2655	† ◆	Cup, Grease	
11	1	625-02828		Coupling, Reducer	3/8" x 1/4" NPT, Stl
12	1	625-01147		Nipple, Pipe	1/4" NPT x 1.50" Lg Galv.
13	1	A-6694		Fitting, Discharge 3"	
14	3	625-01247		Plug, Pipe	3/4" NPT, Galv.
15	3	M-5479		Stud	3/8-16 x 1.75" Lg, Steel
	3	20-6-7		Washer, Flat	3/8", Brass
	3	M-6046		Nut, Cap, Hex	3/8"-16, Steel/Nylock
16	6	M-2771		Stud	1/2-13 x 1.75" Lg, Steel
	6	20-15-6		Washer, Lock, Split	1/2", Zinc Pltd
	6	15-6-6		Nut, Hex	1/2-13, Zinc Pltd
17	1	M-4313	◆	Spinner, Shaft	Neoprene
18	1	089257	◆	Glass, Sight	
19	1	089258	◆	Plug, Vent	
20	2	T-24886	◆	Gasket, Plate, Closure	Vellumoid
21	2	FP-4261		Plate, Closure	
22	2	M-4489		Spring, Disc	
23	1	M-2222		Key	5/16" Sq x 2.00" Lg, Steel
24	1	T-24888-C		Shaft, Impeller	
25	3	M-4080	† ◆	Seal, Lip	
26	8	1-5-6		Screw, Hex Hd	1/4-20 x .75" Lg, Z.P.
	8	20-13-6		Washer, Lock, Split	1/4", Zinc Pltd
27	1	FP-4263		Bracket, Support	
28	2	M-6142	◆	Bearing, Ball	
29	1	512-00007		Sleeve, Shaft, Stainless	
30	1	FP-4262-B		Side, Pump	
31	1	M-3983-F	† ◆	Seal, Mechanical, 1.375"	
32	4	M-2635		Stud	3/8-16 x 1.50" Lg, Steel
	4	20-14-6		Washer, Lock, Split	3/8, Zinc Pltd
	4	15-23-6		Nut, Hex	3/8-16, Zinc Pltd
33	6	T-27239	◆	Shim, Plastic, .025"	
	6	T-27239-A	◆	Shim, Plastic, .015"	
34	1	M-7965	† ◆	O-Ring, Buna-N	

**Continued →**

# Series PO3LA & PO3LB

Solids Handling Motor-Driven



## BARNES • PROSSER • CROWN SERVICE PARTS

35	1	T-25459		Seal Plate	PO3LA-7B
	1	T-24989			PO3LA-8D
	1	T-25459			PO3LB-7B
36	1	FP-4185-F		Volute	PO3LA-7B
	1	FP-4184-F			PO3LA-8D
	1	FP-4296			PO3LB-7B
37	1	FP-4264-A		Impeller	PO3LA-7B
	1	FP-4188-C			PO3LA-8D
	1	FP-4297-C			PO3LB-7B
38	1	FP-4186-H		Case, Pump	
39	2	M-5691	† ♦	O-Ring Buna-N	
40	1	625-00860		Plug, Pipe, Sq	1/8" NPT, Black
41	1	M-5690	† ♦	O-Ring Buna-N	
42	1	M-2650		Key	1/4" Sq x 1.00" Lg, Steel
43	2	M-5800		Handle, Nut	
44	2	TS-29413		Stud	5/8-11 x 2.50" Lg, Stainless
45	2	625-01103		Washer, Flat	5/8", Zinc Pltd
46	1	M-7883		Nut, Lock, Hex	5/8-18, SST/Nylock
47	1	TS-24887		Washer, Impeller	
48	1	510-00521		Handle, Cover	
49	2	2-114-6		Screw, Round Hd	1/4-20 x .50"Lg, ZP
	2	20-13-6		Washer, Lock, Split	1/4", Zinc Pltd
50	1	FP-4187-A		Cover, Case	
51	1	M-9589	† ♦	Gasket, Elbow	
52	1	089113	† ♦	Gasket, Valve, Check	Neoprene
53	1	4757		Plug, Pipe, Hex	1/4" NPT, Brass
54	1	P-3748	† ♦	Weight, Valve, Check	

End

SECTION 4A  
PAGE 6  
DATE 6/10

**CRANE**<sup>®</sup>

A Crane Co. Company

PUMPS & SYSTEMS

USA: (937) 778-8947 • Canada: (905) 457-6223 • International: (937) 615-3598