

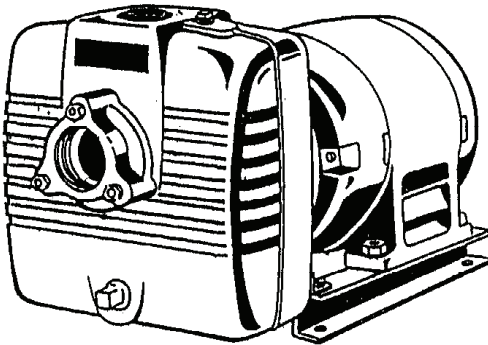
Series 10CCE & 10CCE-1

Electric Drive
2" NPT

BARNES®

www.cranepumps.com

Self-Priming Universal/Electric Driven



Series: 10CCE & 10CCE-1
5HP, 3450RPM
MAX SPHERE 1/2"

DESCRIPTION:

SELF-PRIMING CENTRIFUGAL PUMPS
DESIGNED FOR MARINE, MUNICIPAL AND
INDUSTRIAL APPLICATIONS

Specifications:

SUCTION/DISCHARGE2" x 2" NPT, Female
LIQUID TEMPERATURE160°F (71°C) Continuous
INTERMEDIATECast Iron ASTM A-48, Class 30
VOLUTECast Iron ASTM A-48, Class 30
BODYCast Iron ASTM A-48, Class 30
PEDESTAL.....Cast Iron ASTM A-48, Class 30
IMPELLER: *Design*Semi-Open, Dynamically Balanced,
ISO G6.3
MaterialCast Iron ASTM A-48, Class 30
SHAFTStainless Steel
SHAFT SLEEVEBronze
SQUARE RINGSBuna-N
HARDWARESeries Stainless Steel
PAINTAir Dry Enamel.
SEAL: *Design*Mechanical
LubricationSelf-Lubricating
MaterialRotating Faces - Carbon
Stationary Faces - Ni-Resist
Elastomer - Buna-N
Hardware - 300 Series Stainless

CHECK VALVE:
MaterialValve Flap-Neoprene
Weight-Cast Iron ASTM A-48, Class 30
MOTOR: *Design*Open Drip Proof, NEMA L - Single Phase,
NEMA B - Three Phase Torque Curve.
C-Face, Footed, Squirrel Cage Induction.
Marine Duty Per USCG259 and
AIEEE-45, 50°C Ambient
InsulationClass B
SINGLE PHASESingle Voltage 230
THREE PHASETri-Voltage 200-230/460
OPTIONAL EQUIPMENT.....Seal Material, TEFC Motors

SECTION 4E
PAGE 4
DATE 4/16

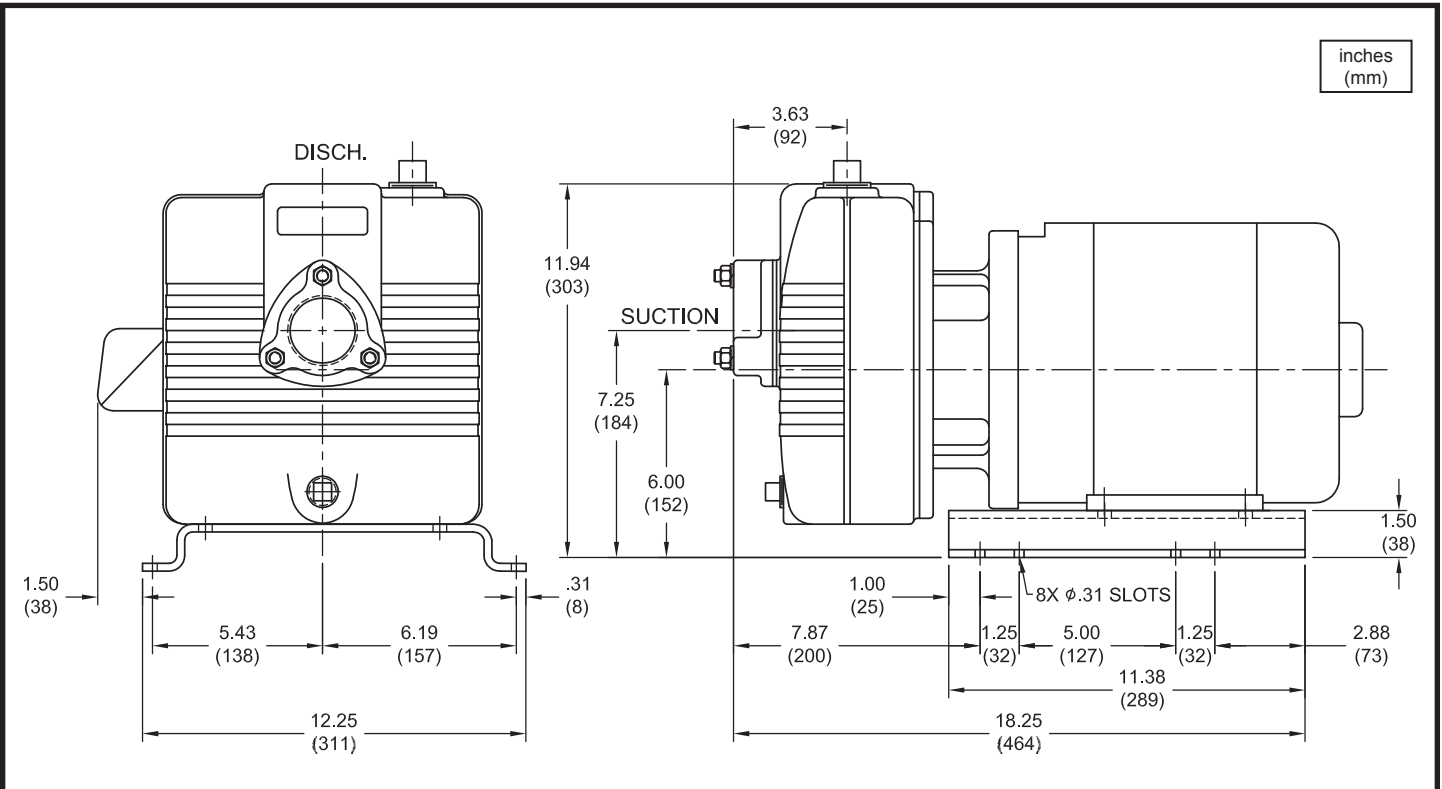
CRANE®

A Crane Co. Company

PUMPS & SYSTEMS

USA: (937) 778-8947 • Canada: (905) 457-6223 • International: (937) 615-3598

Self-Priming Universal/Electric Driven



Overall Dimensions subject to Motor Manufacture.

MODEL NO	PART NO	MOTOR DESIGN	HP	VOLT	PH	Hz	RPM (Nom)	FULL LOAD AMPS	LOCKED ROTOR AMPS	WEIGHT NET LBS (kg)
10CCE	028506	ODP	5.0	200-230/460	3	60	3450	15.2/7.6	92/46	164 (74)
10CCE-1	028504	ODP	5.0	230	1	60	3450	23	125	164 (74)
10CCE	028506F	TEFC	5.0	200-230/460	3	60	3450	6 @ 460	47 @ 460	193 (88)
10CCE-1	028504F	TEFC	5.0	230	1	60	3450	23	170	185 (84)

IMPORTANT !

- DO NOT USE FOR PUMPING FLUIDS WITH A FLASH POINT OF LESS THAN 100°F.
- MAKE CERTAIN THAT PUMP AND/OR MOTOR ASSEMBLY AND CONTROLS HAVE THE APPROPRIATE RATINGS FOR THE GIVEN APPLICATION AREA CLASSIFICATION. (ie DIVISION I, AGENCY LISTING ETC.)

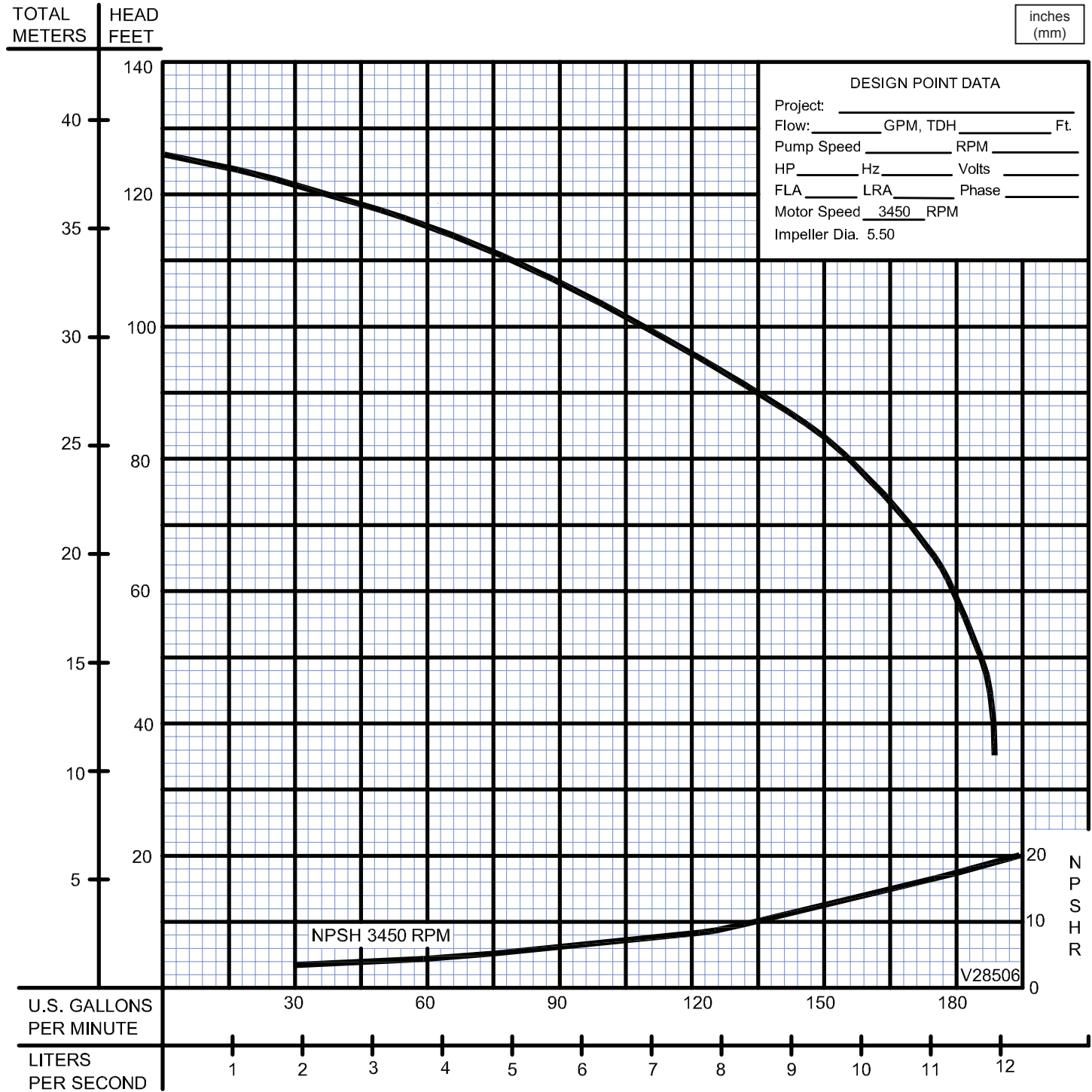
Series 10CCE & 10CCE-1

Performance Curve
Electric Drive

BARNES®

www.cranepumps.com

Self-Priming Universal/Electric Driven



Testing is performed with water, specific gravity 1.0 @ 68° F @ (20°C), other fluids may vary performance

SECTION 4E
PAGE 6
DATE 5/05

CRANE
A Crane Co. Company

PUMPS & SYSTEMS

USA: (937) 778-8947 • Canada: (905) 457-6223 • International: (937) 615-3598