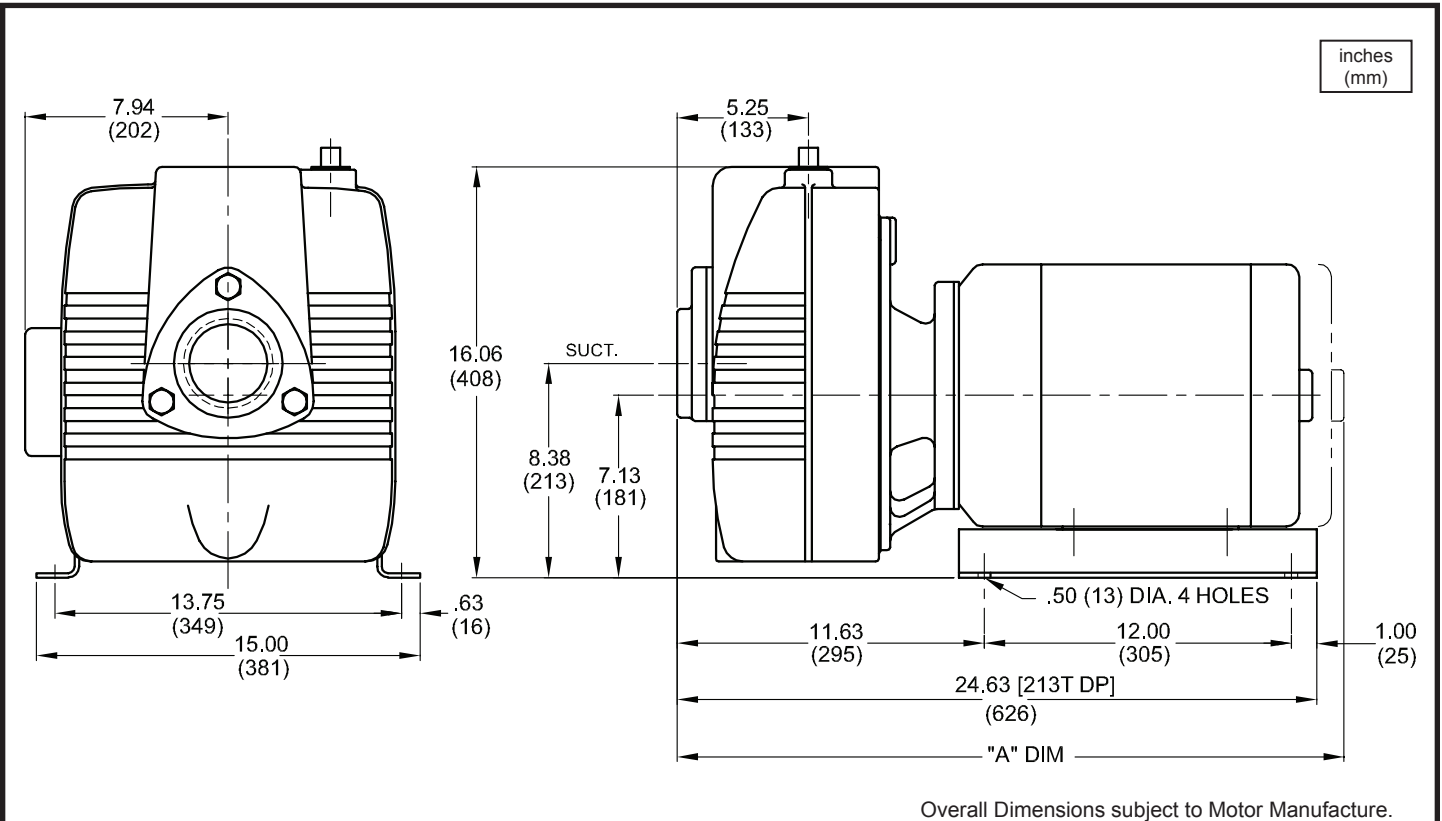




### Self-Priming Universal/Electric Driven



MODEL NO	PART NO	MOTOR DESIGN	HP	VOLT	PH	Hz	RPM (Nom)	FULL LOAD AMPS	LOCKED ROTOR AMPS	WEIGHT NET LBS (kg)
20CCE	028510	ODP	10	200-230/460	3	60	3450	28/14	162/81	294 (133)
20CCE	028510H	TEFC	10	200-230/460	3	60	3450	12 @ 460	115 @ 460	330 (150)

OPTIONAL MOTOR FRAMES	"A" DIM		
	215T - ODP	213T - TEFC	215T - TEFC
	25.69 (653)	26.88 (683)	27.63 (702)

**IMPORTANT !**

- DO NOT USE FOR PUMPING FLUIDS WITH A FLASH POINT OF LESS THAN 100°F.
- MAKE CERTAIN THAT PUMP AND/OR MOTOR ASSEMBLY AND CONTROLS HAVE THE APPROPRIATE RATINGS FOR THE GIVEN APPLICATION AREA CLASSIFICATION. (ie DIVISION I, AGENCY LISTING ETC.)

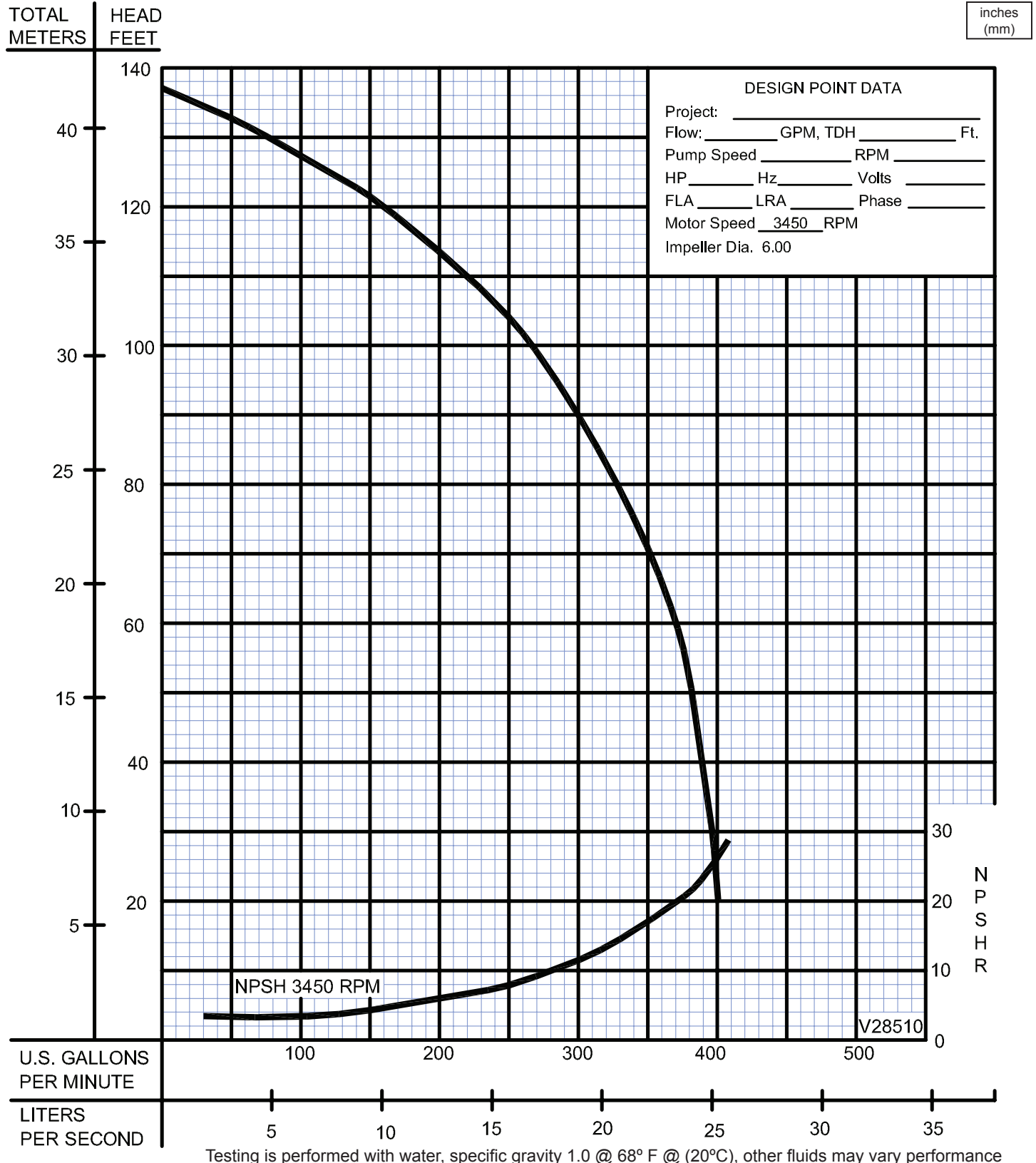
# Series 20CCE

Performance Curve  
Electric Drive

# BARNES®

www.cranepumps.com

## Self-Priming Universal/Electric Driven



SECTION 4E  
PAGE 12  
DATE 5/05



## PUMPS & SYSTEMS

A Crane Co. Company

USA: (937) 778-8947 • Canada: (905) 457-6223 • International: (937) 615-3598