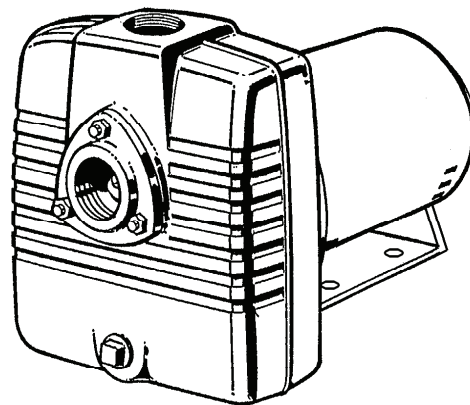


### Self-Priming Universal/Electric Driven

## Specifications:

**SUCTION/DISCHARGE** ..... 1½" x 1½" NPT, Female  
**LIQUID TEMPERATURE** ..... 160°F (71°C) Continuous  
**INTERMEDIATE** ..... Cast Iron ASTM A-48, Class 30  
**VOLUTE** ..... Cast Iron ASTM A-48, Class 30  
**BODY** ..... Cast Iron ASTM A-48, Class 30  
**PEDESTAL** ..... Cast Iron ASTM A-48, Class 30  
**IMPELLER: Design** ..... Semi-Open, Dynamically Balanced,  
ISO G6.3  
*Material* ..... Cast Iron ASTM A-48, Class 30  
**SHAFT** ..... Stainless Steel  
**SQUARE RINGS** ..... Buna-N  
**HARDWARE** ..... Series Stainless Steel  
**PAINT** ..... Air Dry Enamel.  
**SEAL:** *Design* ..... Mechanical  
*Lubrication* ..... Self-Lubricating  
*Material* ..... Rotating Faces - Carbon  
Stationary Faces - Ceramic  
Elastomer - Buna-N  
Hardware -300 Series Stainless  
**CHECK VALVE:**  
*Material* ..... Valve Flap-Neoprene  
Weight-Cast Iron ASTM A-48, Class 30  
**MOTOR: Design** ..... Open Drip Proof, NEMA L - Single Phase,  
NEMA B - Three Phase Torque Curve.  
C-Face, Footed, Squirrel Cage Induction  
*Insulation* ..... Class B  
**SINGLE PHASE** ..... Capacitor Start, Dual Voltage 115/230  
**THREE PHASE** ..... Tri-Voltage 200-230/460  
**OPTIONAL EQUIPMENT** ..... Seal Material, TEFC Motors



**Series: 3CCE**  
**1-1/2HP, 3450RPM**  
MAX SPHERE 5/16"

**Series: 4CCE**  
**2HP, 3450RPM**  
MAX SPHERE 5/16"

**Series: 5CCE**  
**3HP, 3450RPM**  
MAX SPHERE 5/8"



Canadian Standards Association  
File No. LR16567

### DESCRIPTION:

SELF-PRIMING CENTRIFUGAL PUMPS  
DESIGNED FOR MARINE, MUNICIPAL AND  
INDUSTRIAL APPLICATIONS

# Series 3CCE, 4CCE, 5CCE

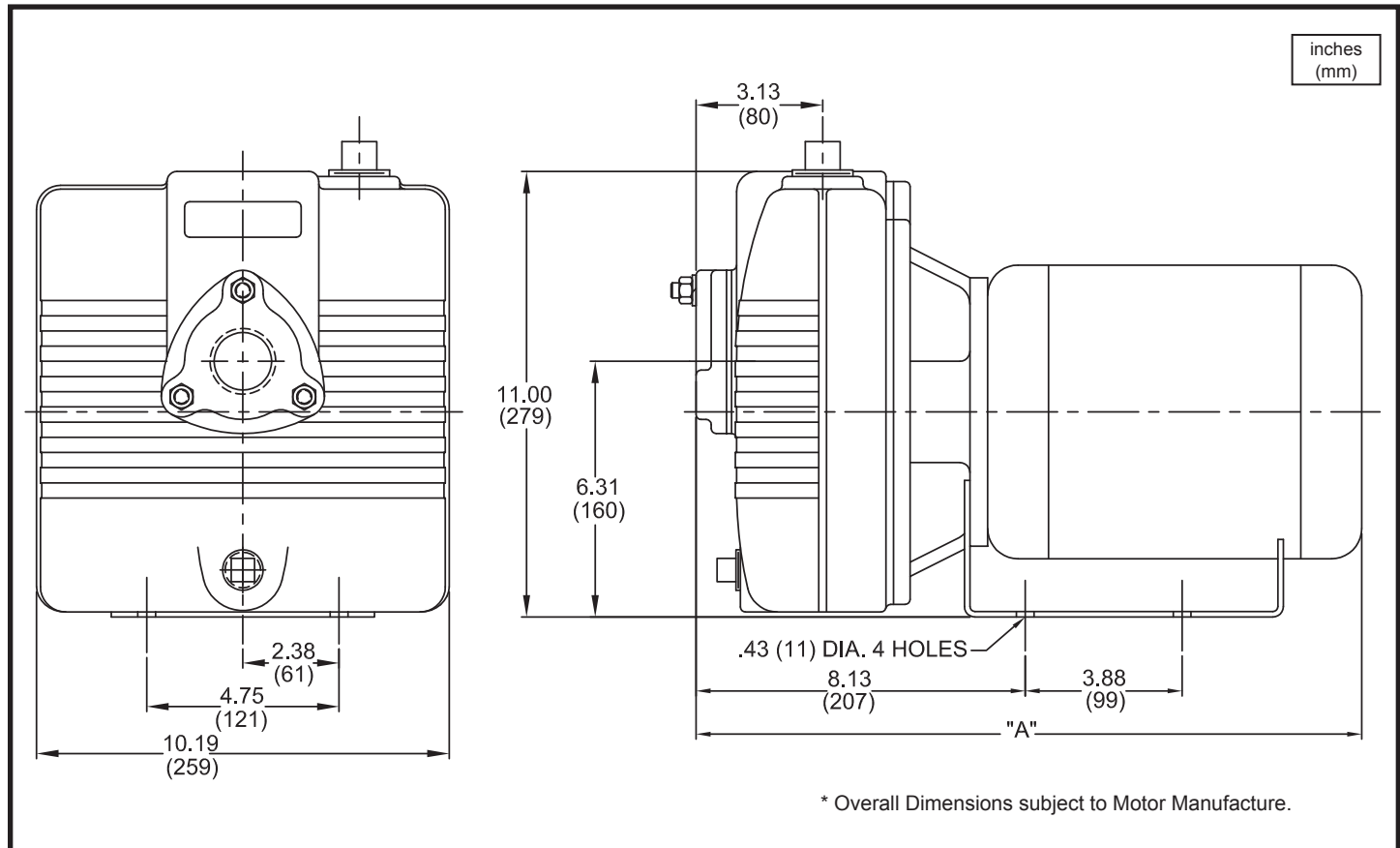
Electric Drive

1½" NPT

# BARNES®

www.cranepumps.com

## Self-Priming Universal/Electric Driven



\* Overall Dimensions subject to Motor Manufacture.

MODEL NO	PART NO	MOTOR DESIGN	HP	VOLT	PH	Hz	RPM (Nom)	FULL LOAD AMPS	LOCKED ROTOR AMPS	WEIGHT NET LBS (kg)	* A DIM
3CCE	027458	ODP	1.5	200-230/460	3	60	3450	6.0/3.0	40/20	84 (38)	17.88 (454)
3CCE-1	027460	ODP	1.5	115/230	1	60	3450	4.5/2.3	120/60	84 (38)	18.44 (468)
4CCE	027464	ODP	2.0	200-230/460	3	60	3450	6.8/3.4	50/25	92 (42)	18.44 (468)
4CCE-1	027466	ODP	2.0	115/230	1	60	3450	5.9/3.0	144/72	92 (42)	18.44 (468)
5CCE	027470	ODP	3.0	200-230/460	3	60	3450	9.6/4.8	64/32	94 (43)	18.44 (468)
5CCE-1	027472	ODP	3.0	115/230	1	60	3450	8.3/4.2	204/102	94 (43)	19.69 (500)
3CCE	027458K	TEFC	1.5	200-230/460	3	60	3450	5-4.6/2.3	36/18	91 (41.3)	20.00 (508)
3CCE-1	027460K	TEFC	1.5	115/230	1	60	3450	16.6/8.3	84/42	107 (48.5)	21.00 (534)
4CCE	027464C	TEFC	2.0	200-230/460	3	60	3450	7-5.4/2.7	46/23	102 (46.3)	21.00 (534)
4CCE-1	027466M	TEFC	2.0	115/230	1	60	3450	23/11.5	156/78	120 (54.4)	21.92 (557)
5CCE	027470F	TEFC	3.0	200-230/460	3	60	3450	8.1-7.6/3.8	66/33	100 (45.4)	21.92 (557)
5CCE-1	027472J	TEFC	3.0	115/230	1	60	3450	29/14.5	172/86	134 (61)	25.36 (644)

### IMPORTANT !

- DO NOT USE FOR PUMPING FLUIDS WITH A FLASH POINT OF LESS THAN 100°F.
- MAKE CERTAIN THAT PUMP AND/OR MOTOR ASSEMBLY AND CONTROLS HAVE THE APPROPRIATE RATINGS FOR THE GIVEN APPLICATION AREA CLASSIFICATION. (ie DIVISION I, AGENCY LISTING ETC.)

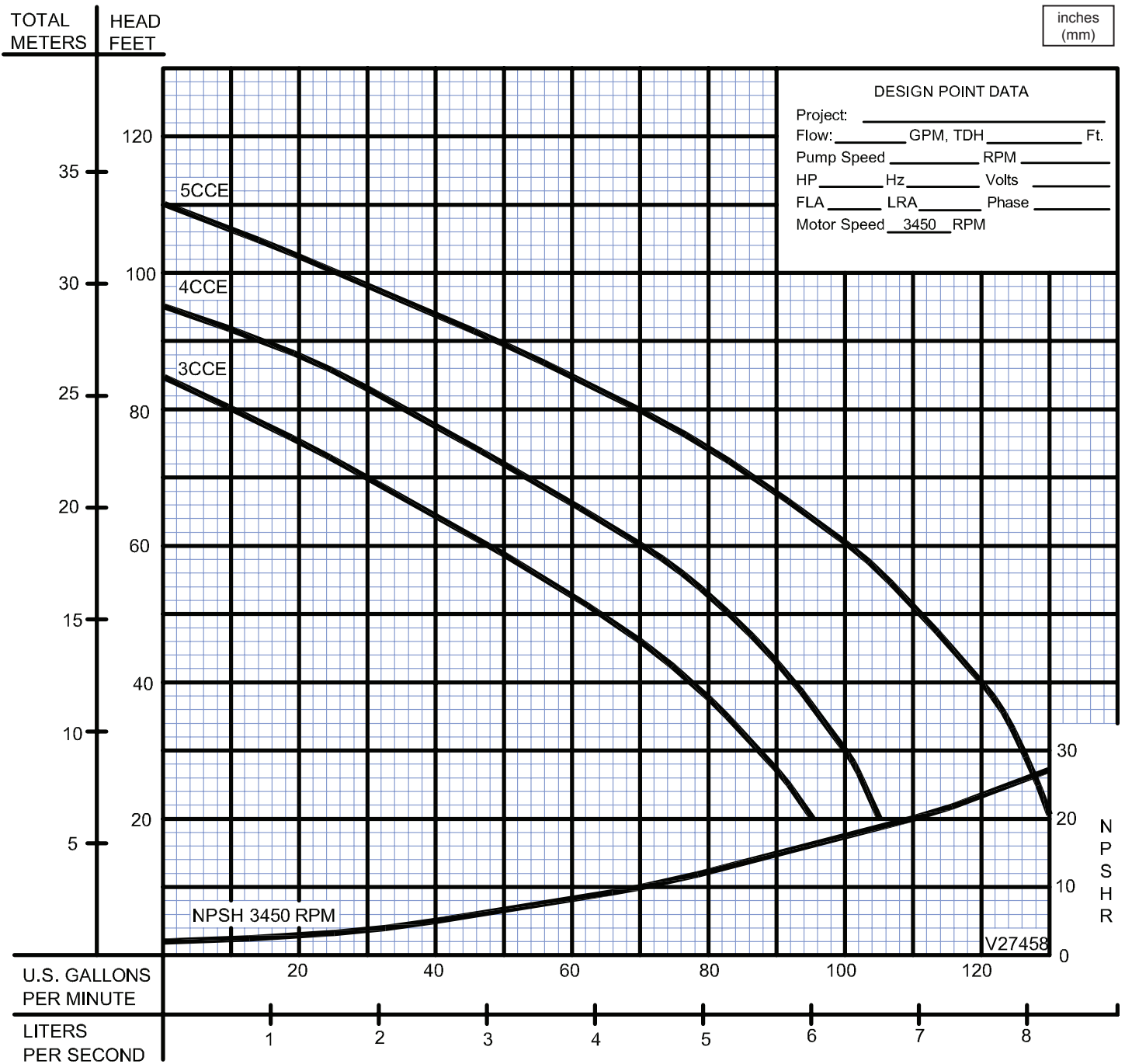
SECTION 4E  
PAGE 2  
DATE 1/17

**CRANE**  
A Crane Co. Company

**PUMPS & SYSTEMS**

USA: (937) 778-8947 • Canada: (905) 457-6223 • International: (937) 615-3598

### Self-Priming Universal/Electric Driven



Testing is performed with water, specific gravity 1.0 @ 68° F @ (20°C), other fluids may vary performance