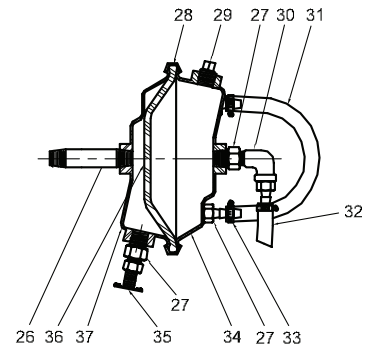
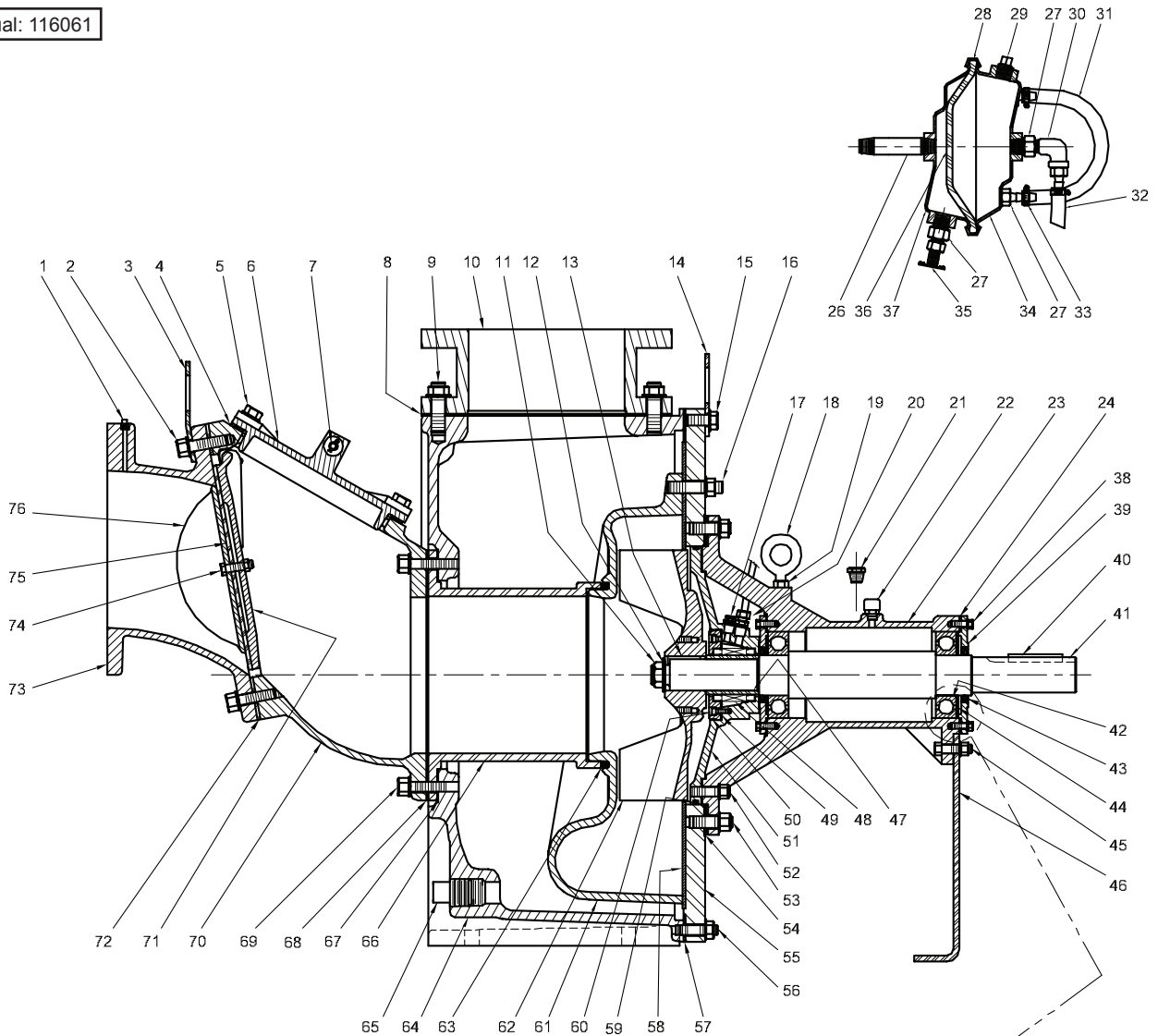


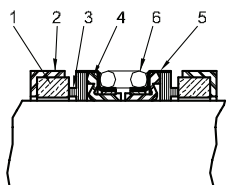
BARNES • PROSSER • CROWN SERVICE PARTS

MODEL	PART NO.		
PO10LA-16X	ACOAD-0016X-031		
PO10LA-14X	ACOAD-0014X-031		

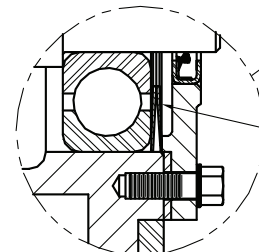
Manual: 116061



CROSS SECTION OF SEAL



1. CERAMIC STATIONARY SEAT.
2. BUNA-N CUP
3. CARBON MATING PLATE
4. BUNA-N BELLOWS
5. STAINLESS RETAINER
6. SPRING



ASSEMBLE SPRINGS
WITH CONE EDGES
TOGETHER

Continued →

Series PO10LA

Solids Handling Motor-Driven



BARNES • PROSSER • CROWN SERVICE PARTS

PARTS KITS

Seal Kit.....P/N: 089083 (+) 4, 8, 48, 49, 57, 59, 63, 67, 68, 72, 75
Overhaul Kit.....P/N: 089094 (♦) 4, 8, 21, 22, 24, 42, 43, 48, 49, 54, 57, 59, 63, 67, 68, 72, 75

PARTS LIST

ITEM	QTY.	PART NO	DESCRIPTION	
1	2	013812	Plug, Pipe, Sq	Brass, .25" NPT
2	12	1-113-6	Screw, Hex Hd	3/4-10 x 2.50" Lg, Z.P.
	12	20-16-6	Washer, Lock, Split	3/4", Zinc Pltd.
3	1	T-37422	Bail, Lifting	
4	1	M-9405	Gasket, Cover, Hatch	Neoprene
5	4	1-112-6	Screw, Hex Hd	3/4-10 x 2.25" Lg, Z.P.
	4	T-16877	Washer, Cover, Hatch	
6	1	P-4577	Cover, Hatch	
7	1	T-23309	Handle, Case, Cover	
	2	20-7-6	Washer, Flat	1/2", Zinc Pltd.
	2	625-02803	Pin, Cotter	.093" x .75" Lg.
8	1	625-03023	Gasket, Flange, 10"	
9	12	625-03024	Stud	7/8-9 x 3.25" Lg, Steel
	12	20-26-6	Washer, Lock, Split	7/8" Zinc Pltd
	12	15-35-6	Nut, Hex	7/8-9, Zinc Pltd.
10	1	500-00023-101	Connection, Flanged, 10"	
11	1	525-00263	Nut, Lock	1-1/4-12, Stainless
12	1	512-00018	Washer, Impeller	1-1/4, Stainless
13	1	525-00356	Key	1/2" Sq x 2.38" Lg, Steel
14	1	T-37089	Bail, Lifting	
15	1	1-109-6	Screw, Hex Hd	3/4-10 x 1.50" Lg, Z.P.
	1	20-16-6	Washer, Lock, Split	3/4" Zinc Pltd.
16	3	M-4415	Stud	3/4-10 x 3.50" Lg. Steel
	3	M-9438	Washer 3/4", Brass	
	3	625-02848	Nut, Lock	3/4-10, Steel/Nylock
17	1	625-01253	Vent, Air	
18	1	M-5087	Bolt, Eye	5/8-11, Steel
19	1	15-22-6	Nut, Hex, Jam	5/8-11, Zinc Pltd.
20	1	625-00856	Street Elbow	1/4", NPT, Galv.
21	1	089257	Glass, Sight	
22	1	089258	Plug, Vent	
23	1	FP-4581	Bracket, Support, Pump	
24	2	T-25357	Gasket, Plate, Closure	
25	1	086478	Hose Barb	1/4"
26	1	093306A	Pipe Nipple	3/8" NPT x 3" Lg
27	3	625-01205	Bushing, Reducer	3/8" x 1/4", Galvanized
28	1	525-00374	Clamp Kit with Hardware	
29	1	015000	Plug, Pipe, Sq	3/8" Npt, Galvanized
30	1	051602	Elbow	1/4", Brass
31	1	M-9823	Tube	3/8" OD, Plastic
32	1	040848	Tube	1/4" OD, Copper
33	2	031056	Hose Clamp	
	2	093276	Hose Barb	1/4" Brass
34	1	T-38881	Cover, Chamber, Pressure	
35	1	23470	Cock, Drain	1/4" NPT
36	1	M-9821	Diaphragm	
37	1	M-9819	Cover, Chamber, Pressure	
38	8	1-529-6	Screw, Hex Hd	3/8-16 x 1.00" Lg, Z.P.
	8	20-14-6	Washer, Lock, Split	3/8", Zinc Pltd.

Continued →

SECTION 4A
PAGE 20
DATE 6/14



A Crane Co. Company

PUMPS & SYSTEMS

USA: (937) 778-8947 • Canada: (905) 457-6223 • International: (937) 615-3598

BARNES • PROSSER • CROWN SERVICE PARTS

39	2	FP-4159-B		Plate, Closure	
40	1	M-2664		Key	1/2" Sq x 3.50" Lg, Steel
41	1	510-00488-001		Shaft, Impeller	
42	2	M-5767	◆	Bearing	
43	2	M-6252	◆	Seal, Lip	
44	4	M-5766		Spring, Disc	
45	2	1-112-6		Screw, Hex Hd	3/4-10 x 2.25" Lg, Z.P.
	2	20-16-6		Washer, Lock, Split	3/4", Zinc Pltd.
	2	15-7-6		Nut, Hex	3/4-10, Zinc Pltd.
46	1	T-36565		Foot, Support	
47	1	087631		Sleeve, Shaft	Stainless
48	1	087652A	+ ◆	Seal, Mechanical, 2.50"	
49	1	M-9435	+ ◆	Gasket, Plate, Closure	
50	1	FP-4584-A		Plate, Closure	
51	1	FP-4582-B		Side, Pump	
52	4	M-3122		Stud	5/8-11 x 2.75" Lg, Steel
	4	20-24-6		Washer, Lock, Split	5/8", Zinc Pltd.
	4	15-21-6		Nut, Hex	5/8-11, Zinc Pltd.
53	8	M-1020		Stud	3/4-10 x 3.00" Lg, Steel
	8	20-16-6		Washer, Lock, Split	3/4" Zinc Pltd.
	8	15-7-6		Nut, Hex	3/4-10, Zinc Pltd.
54	16	M-9441	◆	Shim, .015"	
	16	M-9440	◆	Shim, .035"	
	8	M-9543	◆	Shim, .060"	
55	1	T-37086-A		Cover, Case	
56	16	M-3346		Stud	5/8-11 x 3.25" Lg, Steel
	16	20-24-6		Washer, Lock, Split	5/8", Zinc Pltd.
	16	15-21-6		Nut, Hex	5/8-11, Zinc Pltd.
57	1	M-9442	+ ◆	Gasket, Cover, Case	Neoprene
58	1	T-36536		Plate, Seal	PO10LA-16X
	1	T-39444		Plate, Seal	PO10LA-14X
59	1	M-9434	+ ◆	O-Ring Buna-N	
60	4	11-44-6		Screw, Sckt Hd	5/16-18 x .75" Lg, Z.P.
61	1	FP-4586		Volute	PO10LA-16X
	1	FP-4607		Volute	PO10LA-14X
62	1	FP-4585		Impeller	PO10LA-16X
	1	FP-4608		Impeller	PO10LA-14X
63	1	M-5633-C	+ ◆	Rubber Strip	1/2" Sq x 45" Lg, Neoprene
64	1	500-00019-101		Case, Pump	
65	1	625-01048		Plug, Pipe, Sq.	1-1/4" NPT, Galvanized
66	1	500-00021-101		Adapter, Case, 10"	
67	1	625-03025	+ ◆	Gasket	
68	1	M-9436	+ ◆	Gasket, Flange	Neoprene
69	12	625-03030		Stud	3/4-10 x 4.00" Lg, Steel
	12	20-16-6		Washer, Lock, Split	3/4", Zinc Pltd.
	12	15-7-6		Nut, Hex	3/4-10, Zinc Pltd.
70	1	FP-4580		Elbow, Suction	
71	1	FP-4579		Valve, Check	
72	1	M-9404	+ ◆	Gasket, Elbow	
73	1	FP-4587		Adapter, Suction, 10"	
74	2	1-71-1		Screw, Hex Hd	1/2-13 x 1.75" Lg, SST
	2	15-6-1		Nut, Hex	1/2-13, Stainless
75	1	M-9403	+ ◆	Gasket, Valve, Check	Neoprene
76	1	P-4578		Weight, Valve	
NS	1	625-01175		Plug, Pipe, Sq	1-1/2" NPT, Black
NS	2	003204		Plug, Pipe, Sq	3/4" NPT, Galvanized

End