



**FEATURES**

**Impeller:** Cast iron, semi-open, non-clog with pump-out vanes for mechanical seal protection. Balanced for smooth operation. Silicon bronze impeller available as an option.

**Casing:** Cast iron volute type for maximum efficiency. 2" NPT discharge.

**Mechanical Seal:** Silicon Carbide vs. Silicon Carbide sealing faces. Stainless steel metal parts, BUNA-N elastomers.

**Shaft:** Corrosion-resistant, stainless steel. Threaded design. Locknut on all models to guard against component damage on accidental reverse rotation.

**Fasteners:** 300 series stainless steel.

Temperature rating 200°F for continuous operation when fully submerged.

Capable of running dry without damage to components.

# WEHT Series

## Model 3885HT

SUBMERSIBLE HIGH TEMPERATURE SUMP PUMPS

### APPLICATIONS

Specifically designed for the following uses:

- Boiler blow down, high temp condensate

### SPECIFICATIONS

#### Pump

- Solids handling capabilities:  $\frac{3}{4}$ " maximum
- Discharge size: 2" NPT
- Capacities: up to 70 GPM
- Total heads: up to 27 feet TDH
- Temperature: 200°F (93°C) continuous, fully submerged
- See order numbers on reverse side for specific HP, voltage and phase.
- Available with 1½" connection and high temp float if required. See model chart on page 3.

### MOTORS

- Fully submerged in high-grade turbine oil for lubrication and efficient heat transfer.
- Class B insulation

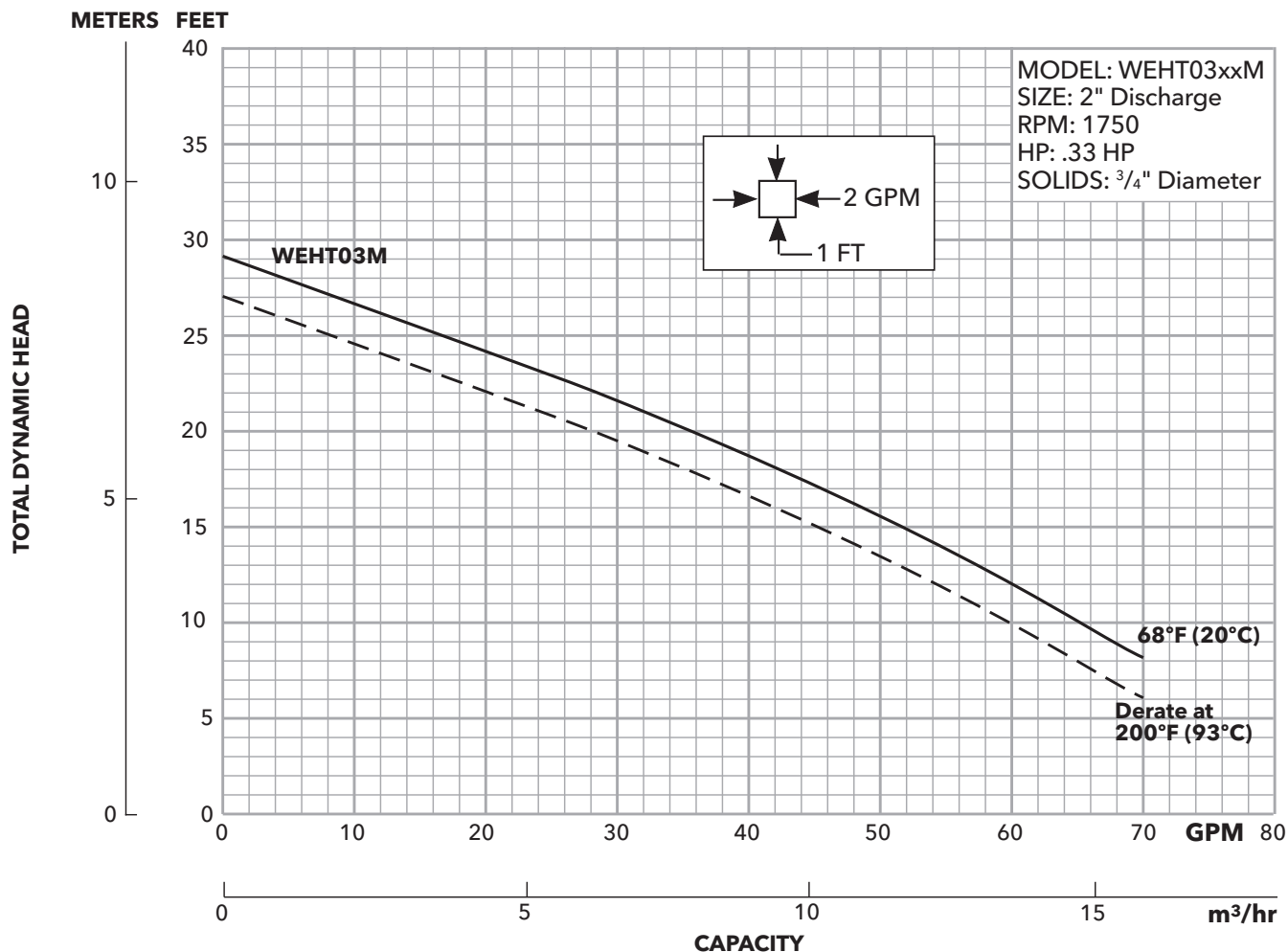
#### Single phase (60 Hz):

- Capacitor start motors for maximum starting torque.
- Built-in overload with automatic reset.
- SJOOW severe duty oil and water resistant power cords, rated for high temperature.
- Models have NEMA three prong grounding plugs.

### AGENCY LISTINGS



Tested to UL 778 and CSA 22.2-108 Standards  
By Canadian Standards Association File #LR38549

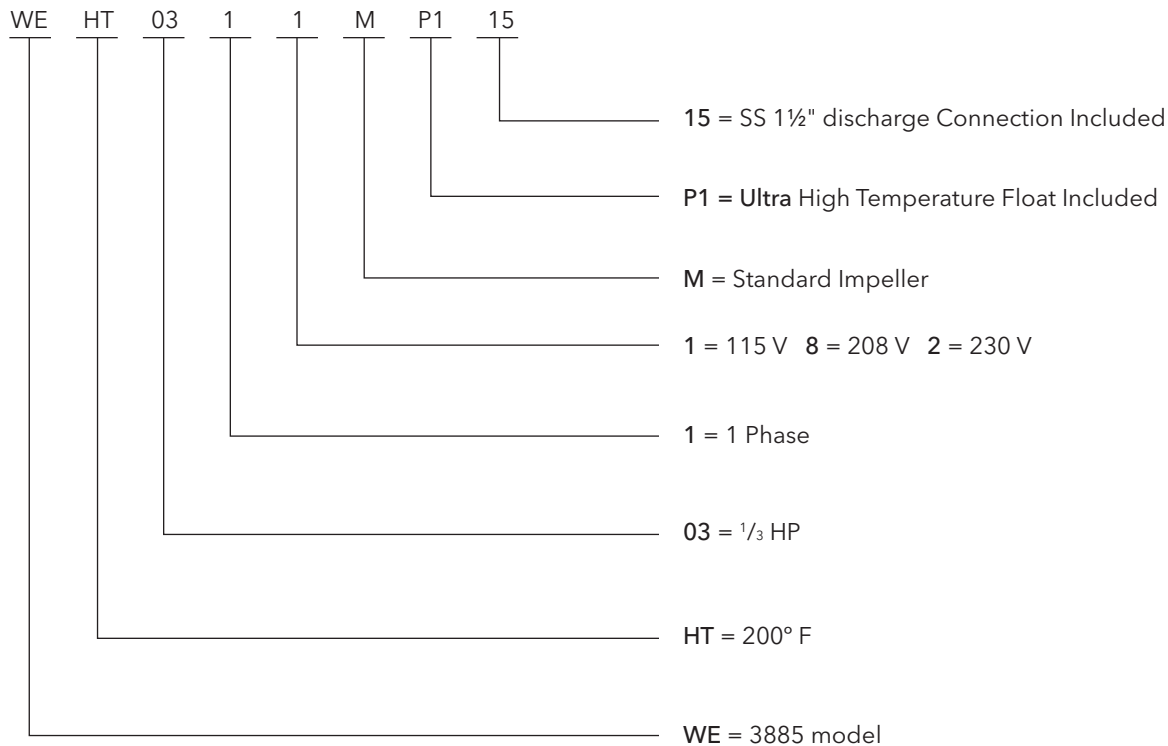


### MODELS

Order Number	HP	Phase	Volts	RPM	Impeller Dia. (In.)	Max. Amps	LRA	KVA Code	Full Load Motor Eff.	Resistance		Wt. (Lbs.)	Operation	Discharge
										Start	Line-Line			
WEHT0311M	1/3	1	115	1750	5.38"	12	31.1	J	55	9.3	1.4	56	Manual	2"
WEHT0318M			208			7.3	19.5	K	51	9.1	4.2			
WEHT0312M			230			6.1	16.5	J	54	11.7	5.6			
WEHT0311M15			115			12	31.1	J	55	9.3	1.4			
WEHT0318M15			208			7.3	19.5	K	51	9.1	4.2			
WEHT0312M15			230			6.1	16.5	J	54	11.7	5.6			
WEHT0311MP1			115			12	31.1	J	55	9.3	1.4		Automatic Float Included	2"
WEHT0318MP1			208			7.3	19.5	K	51	9.1	4.2			
WEHT0312MP1			230			6.1	16.5	J	54	11.7	5.6			
WEHT0311MP115			115			12	31.1	J	55	9.3	1.4			
WEHT0318MP115			208			7.3	19.5	K	51	9.1	4.2			
WEHT0312MP115			230			6.1	16.5	J	54	11.7	5.6			

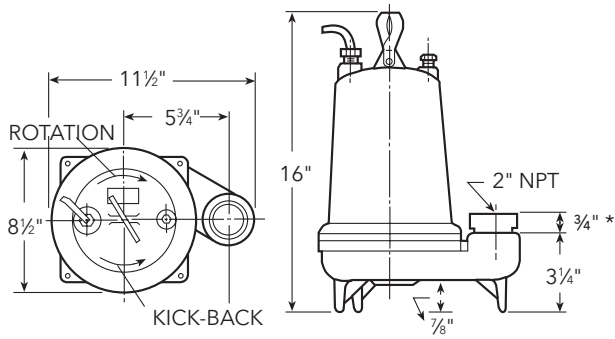
**Accessory part numbers:** A2HT31 - 115V and A2HT32 - 208 and 230V (ultra high-temperature float switch)

### NOMENCLATURE



## DIMENSIONS

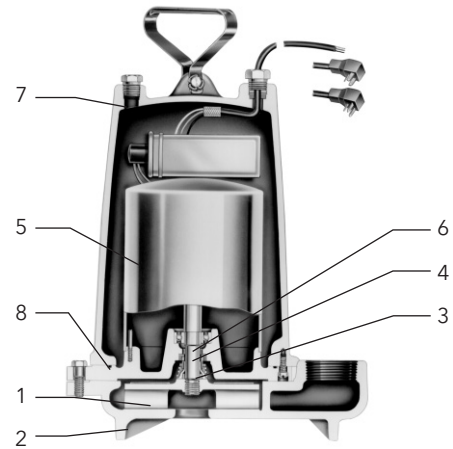
(All dimensions are in inches. Do not use for construction purposes.)



\* 2" x 1 1/2" adapter if used

## COMPONENTS

Item No.	Description
1	Impeller
2	Casing
3	Mechanical Seal
4	Motor Shaft
5	Motor
6	Ball Bearings
7	Power Cable
8	Casing O-Ring



**xylem**  
Let's Solve Water

Xylem, Inc.  
2881 East Bayard Street Ext., Suite A  
Seneca Falls, NY 13148  
Phone: (866) 325-4210  
Fax: (888) 322-5877  
[www.xylem.com/brands/gouldswatertechnology](http://www.xylem.com/brands/gouldswatertechnology)

Goulds is a registered trademark of Goulds Pumps, Inc. and is used under license.  
© 2012 Xylem Inc. B3885HT R3 December 2012