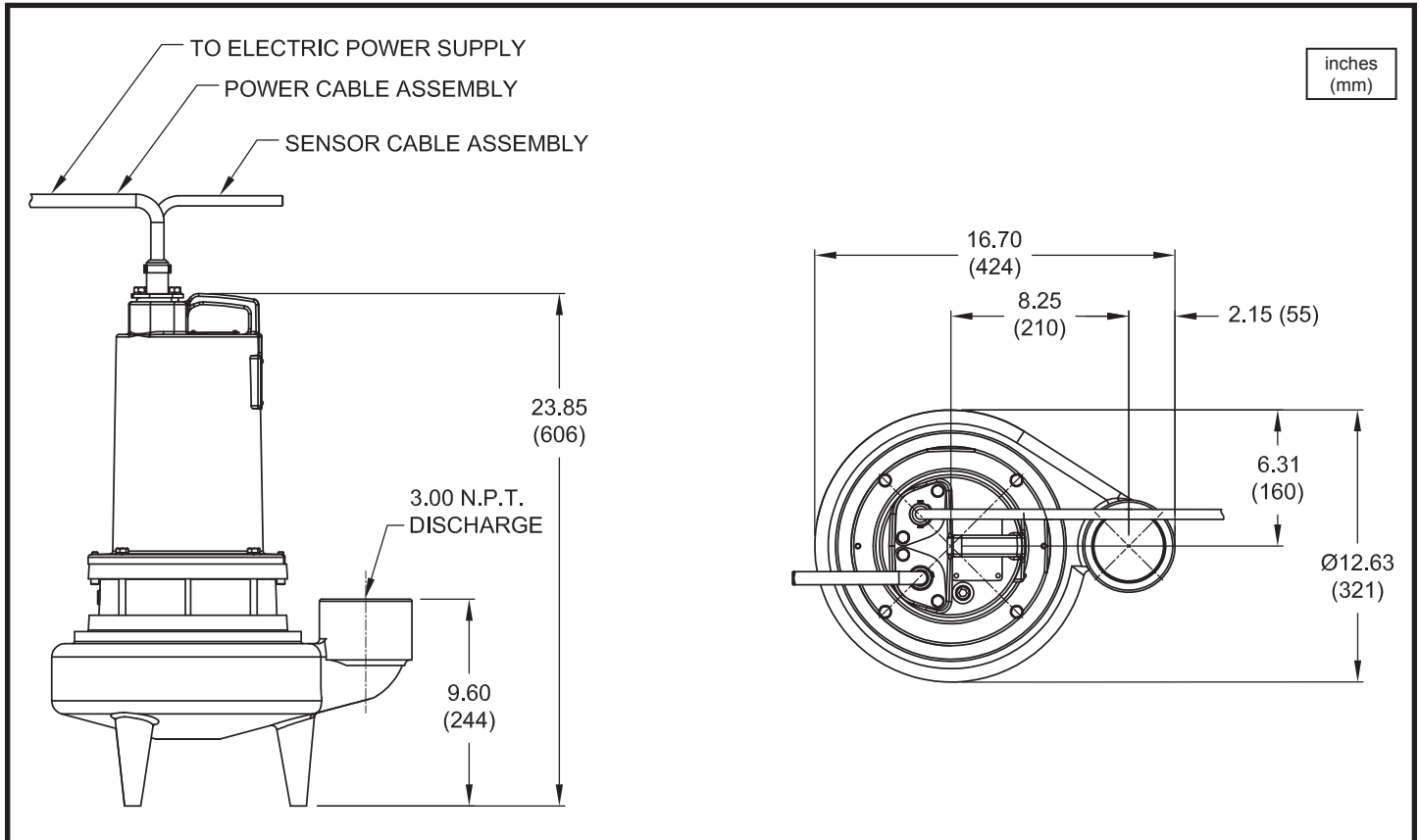




1½", 2" & 3" Discharge



MODEL NO	PART NO	HP	VOLT/PH	Hz	RPM (Nom)	NEMA START CODE	INSUL. CLASS	FULL LOAD AMPS	LOCKED ROTOR AMPS	CORD SIZE	CORD TYPE	CORD O.D inch (mm)
3SE1524DS	132745	1.5	230/1	60	1750	C	F	16.0	44.6	12/3	SOOW / SOW	0.610 (15.5)
3SE1594DS	132758	1.5	200-230/3	60	1750	D/G	F	13.3/11.6	35.8/41.2	12/4	SOOW / SOW	0.680 (17.4)
3SE1544DS	132760	1.5	460/3	60	1750	G	F	5.8	20.6	14/4	SOOW / SOW	0.570 (14.5)
3SE1554DS	132761	1.5	575/3	60	1750	G	B	4.6	16.4	14/4	SOOW / SOW	0.570 (14.5)
3SE2024DS	132765	2.0	230/1	60	1750	A	F	19.0	44.6	10/3	SOOW / SOW	0.660 (16.8)
3SE2094DS	132768	2.0	200-230/3	60	1750	B/D	F	15.2/13.2	35.8/41.2	12/4	SOOW / SOW	0.680 (17.4)
3SE2044DS	132770	2.0	460/3	60	1750	D	F	6.6	20.6	14/4	SOOW / SOW	0.570 (14.5)
3SE2054DS	132772	2.0	575/3	60	1750	D	B	5.2	16.4	14/4	SOOW / SOW	0.570 (14.5)

Moisture & Temperature sensor cord for all models is 18/5 SOOW/SOW, 0.47 (11.9mm) O.D.  
OPTIONAL Temperature only sensor cord for 3 phase models is 14/3 SOOW/SOW, 0.53 (13.5mm) O.D.

**IMPORTANT !**

- 1.) PUMP MAY BE OPERATED "DRY" FOR EXTENDED PERIODS WITHOUT DAMAGE TO MOTOR AND/OR SEALS.
- 2.) INSTALLATIONS SUCH AS DECORATIVE FOUNTAINS OR WATER FEATURES PROVIDED FOR VISUAL ENJOYMENT MUST BE INSTALLED IN ACCORDANCE WITH THE NATIONAL ELECTRIC CODE ANSI/NFPA 70 AND/OR THE AUTHORITY HAVING JURISDICTION. THIS PUMP IS NOT INTENDED FOR USE IN SWIMMING POOLS, RECREATIONAL WATER PARKS, OR INSTALLATIONS IN WHICH HUMAN CONTACT WITH PUMPED MEDIA IS A COMMON OCCURRENCE.

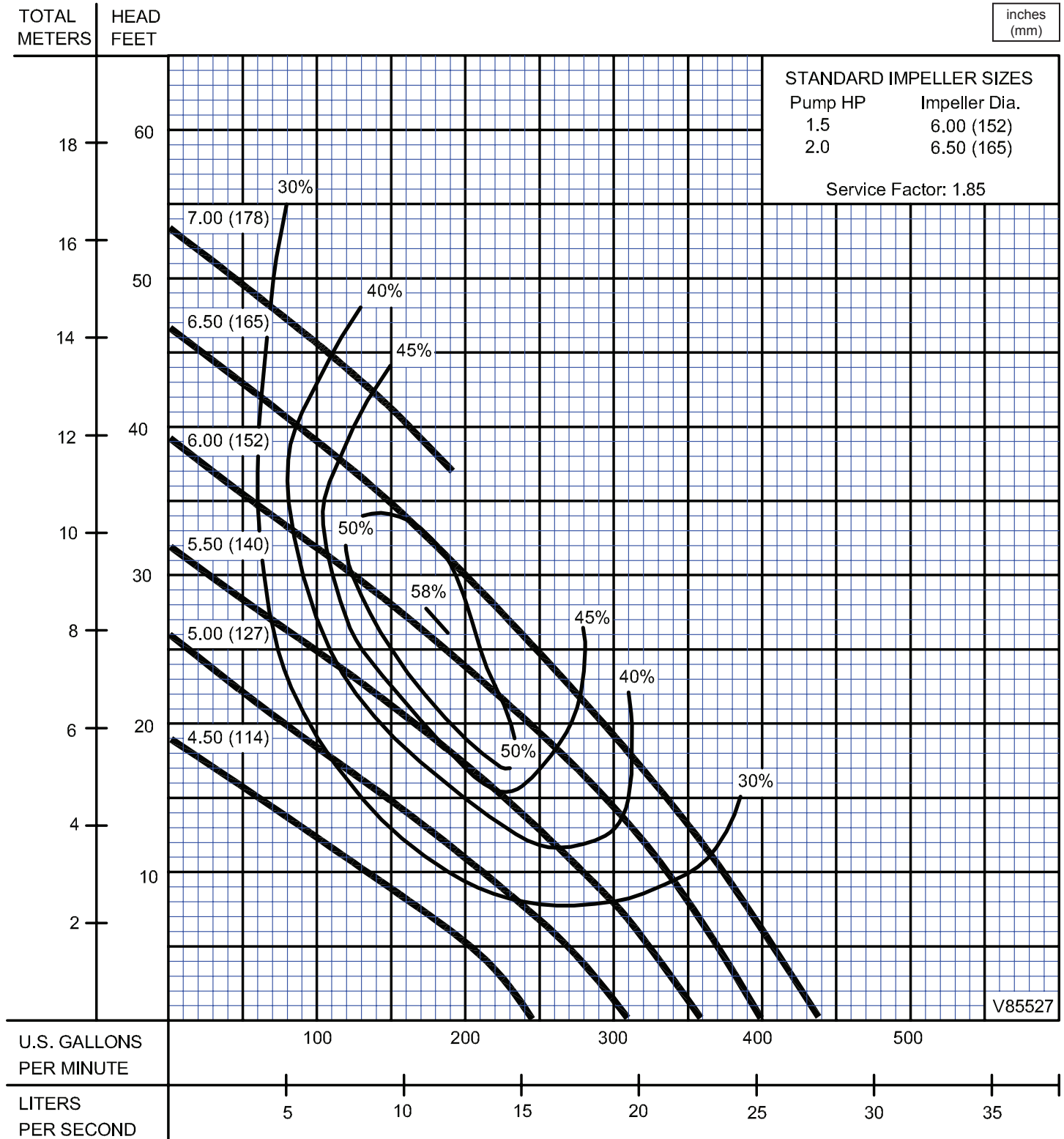
# Series 3SE-DS

Performance Curve  
1.5 & 2.HP, 1750RPM, 60Hz

# BARNES®

www.cranepumps.com

## 1½", 2" & 3" Discharge



V85527

Testing is performed with water, specific gravity 1.0 @ 68° F @ (20°C), other fluids may vary performance

SECTION 1B  
PAGE 62  
DATE 1/06

**CRANE**  
A Crane Co. Company

PUMPS & SYSTEMS

USA: (937) 778-8947 • Canada: (905) 457-6223 • International: (937) 615-3598