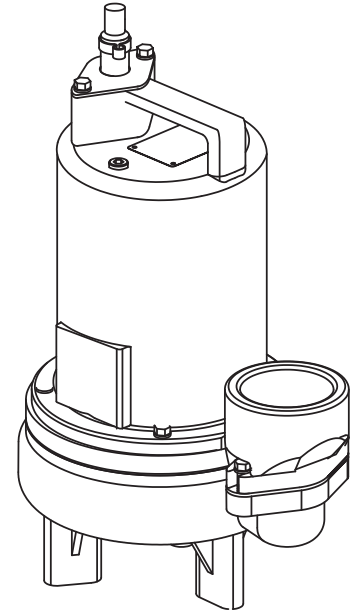


DISCHARGE	3" NPT, Female, Vertical, Bolt-on Flange
LIQUID TEMPERATURE	104°F (40°C) Continuous
VOLUTE	Cast Iron ASTM A-48, Class 30
MOTOR HOUSING	Cast Iron ASTM A-48, Class 30
SEAL PLATE	Cast Iron ASTM A-48, Class 30
IMPELLER: Design	Vortex, open, with pump out vanes on back side. Dynamically balanced, ISO G6.3
<i>Material</i>	Cast Iron ASTM A-48, Class 30
SHAFT	416 Stainless Steel
SQUARE RINGS	Buna-N
HARDWARE	300 Series Stainless Steel
PAINT	Air Dry Enamel
SEAL: Design	Single Mechanical
<i>Material</i>	Carbon/Ceramic/Buna-N
	Hardware -300 Series Stainless
CORD ENTRY	30 ft. (9.1m) Cord with plug on 120 volt & .5HP, 240 volt, 1 phase. Quick connect custom molded for sealing and strain relief
SPEED	1750 & 3450 RPM (Nominal)
UPPER BEARING	Single Row, Ball, Oil lubricated
<i>Load</i>	Radial
LOWER BEARING	Single Row, Ball, Oil lubricated
<i>Load</i>	Radial & Thrust
MOTOR: Design	NEMA L -Single Phase, NEMA B -Three phase Torque Curve, Oil Filled, Squirrel Cage Induction
<i>Insulation</i>	Class B
	Class F on selected models
SINGLE PHASE	Permanent Split Capacitor (PSC) Includes Overload Protection in Motor
THREE PHASE	200-240/480 is Tri-Voltage. 600V. Requires Overload Protection to be included in control panel
OPTIONAL EQUIPMENT	Seal Material, Impeller Trims, Additional cord, Normally Closed Temperature Sensors with cord for 3 phase pumps (Requires relay in control panel).

RECOMMENDED:

<i>Accessories</i>	Break Away Fitting (BAF) Check Valve Control Panel
<i>Seal Kit PN</i>	130180
<i>Service Kit PN</i>	130207



Series: 3SEV-L
0.5, 0.75 & 1.0HP,
1750 & 3450RPM, 60Hz



Sample Specifications: Section 1 Page 8.

DESCRIPTION:

SUBMERSIBLE NON-CLOG SEWAGE PUMP
DESIGNED FOR TYPICAL RAW SEWAGE
APPLICATIONS

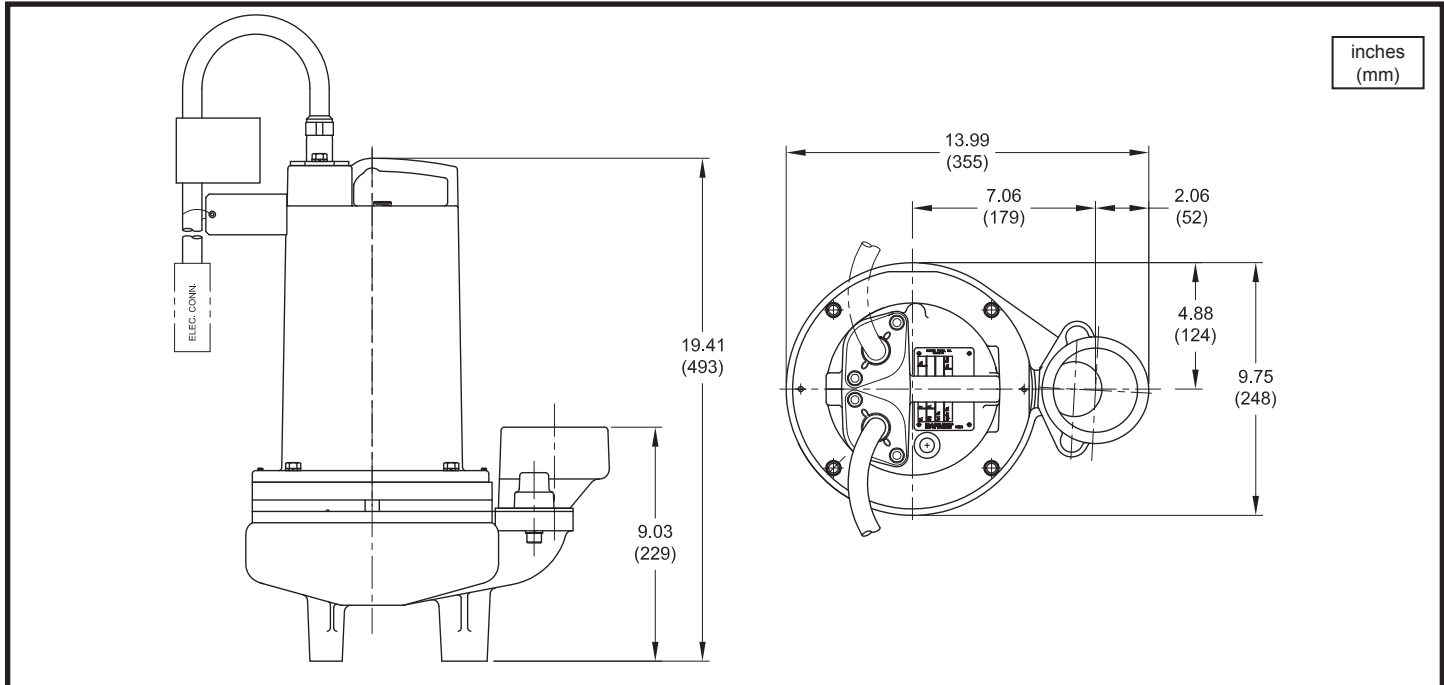
Series 3SEV-L

2" Spherical Solids Handling
Vortex, Single Seal

BARNES®

www.cranepumps.com

3" Discharge



MODEL NO	PART NO	HP	VOLT/PH	Hz	RPM (Nom)	NEMA START CODE	INSUL. CLASS	FULL LOAD AMPS	LOCKED ROTOR AMPS	CORD SIZE	CORD TYPE	CORD O.D inch (mm)
3SEV514L	104944	0.5	120/1	60	1750	F	B	12.0	21.3	14/3	SJTOW	0.375 (9.5)
3SEV524L	104945	0.5	240/1	60	1750	J	B	6.3	14.9	14/3	SOW	0.530 (13.5)
3SEV594L	104946	0.5	200-240/3	60	1750	H/L	B	3.7/3.8	9.8/11.0	14/4	SOW	0.570 (14.5)
3SEV544L	104947	0.5	480/3	60	1750	K	B	1.9	5.3	14/4	SOW	0.570 (14.5)
3SEV554L	104948	0.5	600/3	60	1750	H	B	1.4	3.4	14/4	SOW	0.570 (14.5)
3SEV724L	104954	0.75	240/1	60	1750	K	F	7.1	25.8	14/3	SOW	0.530 (13.5)
3SEV794L	104955	0.75	200-240/3	60	1750	H/K	B	4.8/4.6	13.7/15.4	14/4	SOW	0.570 (14.5)
3SEV744L	104956	0.75	480/3	60	1750	K	B	2.3	7.7	14/4	SOW	0.570 (14.5)
3SEV754L	104957	0.75	600/3	60	1750	L	B	1.6	7.2	14/4	SOW	0.570 (14.5)
3SEV1024L	104962	1.0	240/1	60	1750	G	F	8.5	25.8	14/3	SOW	0.530 (13.5)
3SEV1094L	104963	1.0	200-240/3	60	1750	E/H	B	5.3/5.1	13.7/15.4	14/4	SOW	0.570 (14.5)
3SEV1044L	104964	1.0	480/3	60	1750	H	B	2.5	7.7	14/4	SOW	0.570 (14.5)
3SEV1054L	104965	1.0	600/3	60	1750	J	B	2.2	7.2	14/4	SOW	0.570 (14.5)
3SEV512L*	104992	0.5	120/1	60	3450	G	B	12.6	24.6	14/3	SJTOW	0.375 (9.5)
3SEV522L	104993	0.5	240/1	60	3450	E	B	6.0	10.2	14/3	SOW	0.530 (13.5)
3SEV592L	104994	0.5	200-240/3	60	3450	P/R	B	5.8/5.3	19.9/18.4	14/4	SOW	0.570 (14.5)
3SEV542L	104996	0.5	480/3	60	3450	R	B	2.6	9.1	14/4	SOW	0.570 (14.5)
3SEV552L	104997	0.5	600/3	60	3450	T	B	2.1	8.7	14/4	SOW	0.570 (14.5)
3SEV1022L	105004	1.0	240/1	60	3450	F	B	10.7	21.8	14/3	SOW	0.530 (13.5)
3SEV1092L	105005	1.0	200-240/3	60	3450	H/J	B	7.9/7.5	19.9/18.4	14/4	SOW	0.570 (14.5)
3SEV1042L	105007	1.0	480/3	60	3450	J	B	3.7	9.1	14/4	SOW	0.570 (14.5)
3SEV1052L	105008	1.0	600/3	60	3450	L	B	2.9	8.7	14/4	SOW	0.570 (14.5)

OPTIONAL - Temperature sensor cord for 3 phase models is 14/3 SOW, 0.530 (13.5mm) O.D.

(*) Pump is CSA listed **ONLY**

IMPORTANT !

- 1.) PUMP MAY BE OPERATED "DRY" FOR EXTENDED PERIODS WITHOUT DAMAGE TO MOTOR AND/OR SEALS.
- 2.) INSTALLATIONS SUCH AS DECORATIVE FOUNTAINS OR WATER FEATURES PROVIDED FOR VISUAL ENJOYMENT MUST BE INSTALLED IN ACCORDANCE WITH THE NATIONAL ELECTRIC CODE ANSI/NFPA 70 AND/OR THE AUTHORITY HAVING JURISDICTION. THIS PUMP IS NOT INTENDED FOR USE IN SWIMMING POOLS, RECREATIONAL WATER PARKS, OR INSTALLATIONS IN WHICH HUMAN CONTACT WITH PUMPED MEDIA IS A COMMON OCCURRENCE.

SECTION 1B
PAGE 44
DATE 8/16

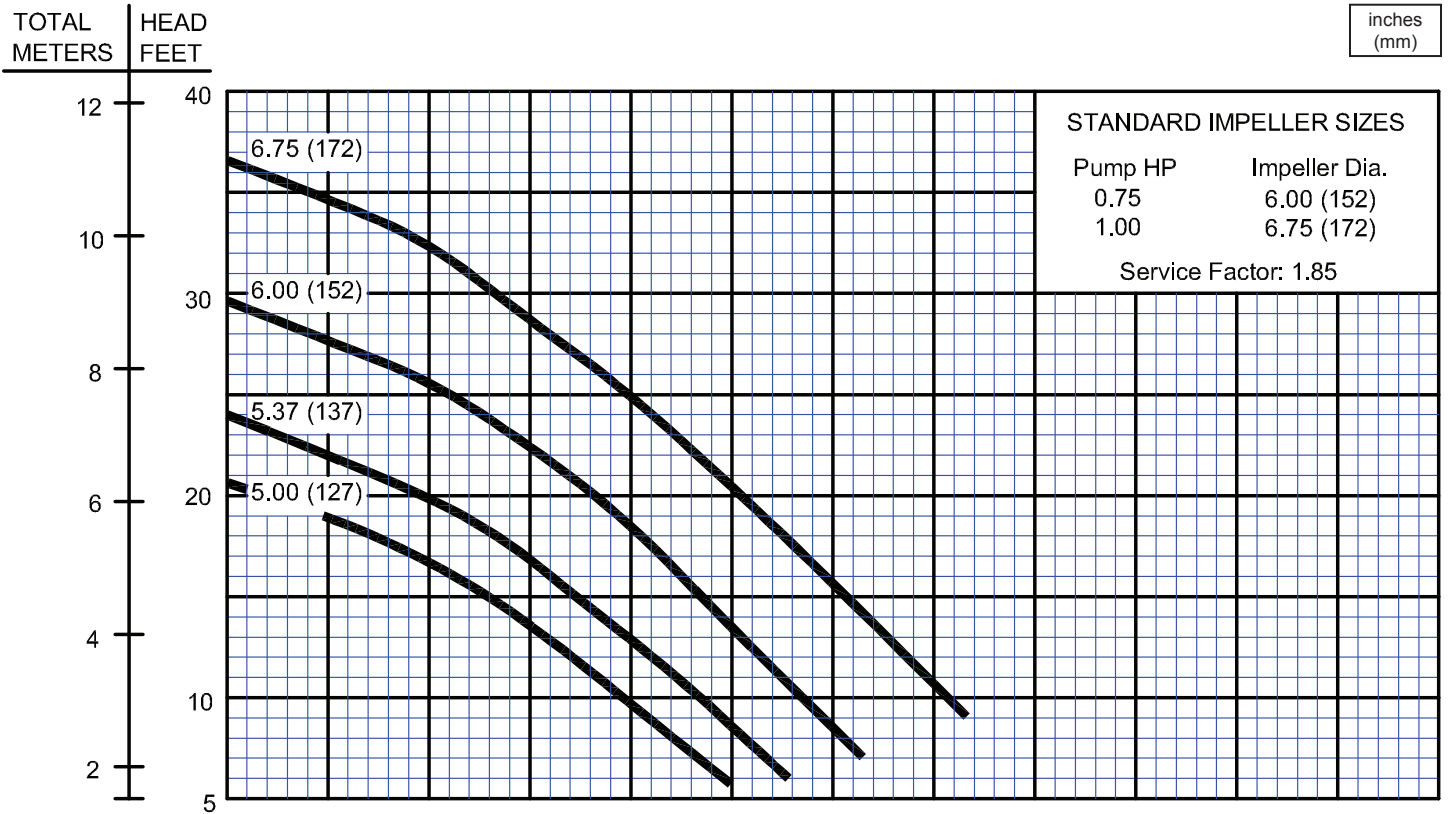
CRANE®

A Crane Co. Company

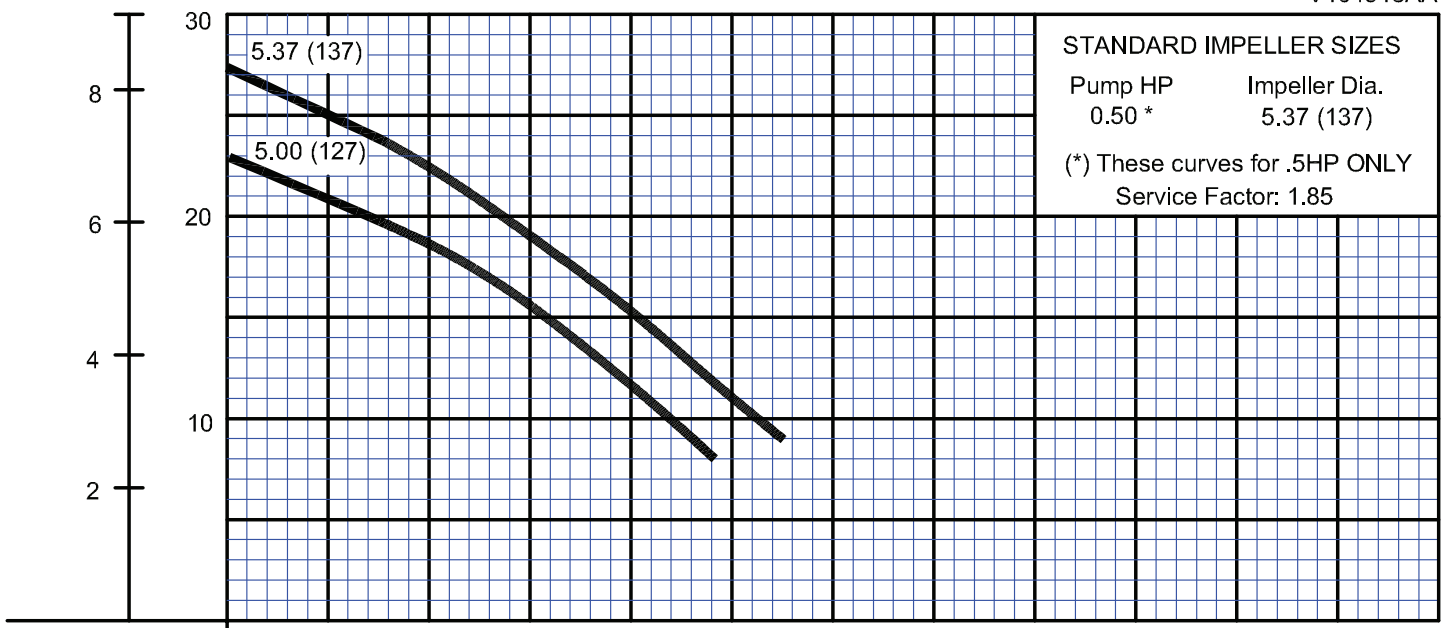
PUMPS & SYSTEMS

USA: (937) 778-8947 • Canada: (905) 457-6223 • International: (937) 615-3598

3" Discharge



V104918AA



U.S. GALLONS PER MINUTE: 50, 100, 150, 200, 250

LITERS PER SECOND: 2, 4, 6, 8, 10, 12, 14, 16

Testing is performed with water, specific gravity 1.0 @ 68° F @ (20°C), other fluids may vary performance

Series 3SEV-L

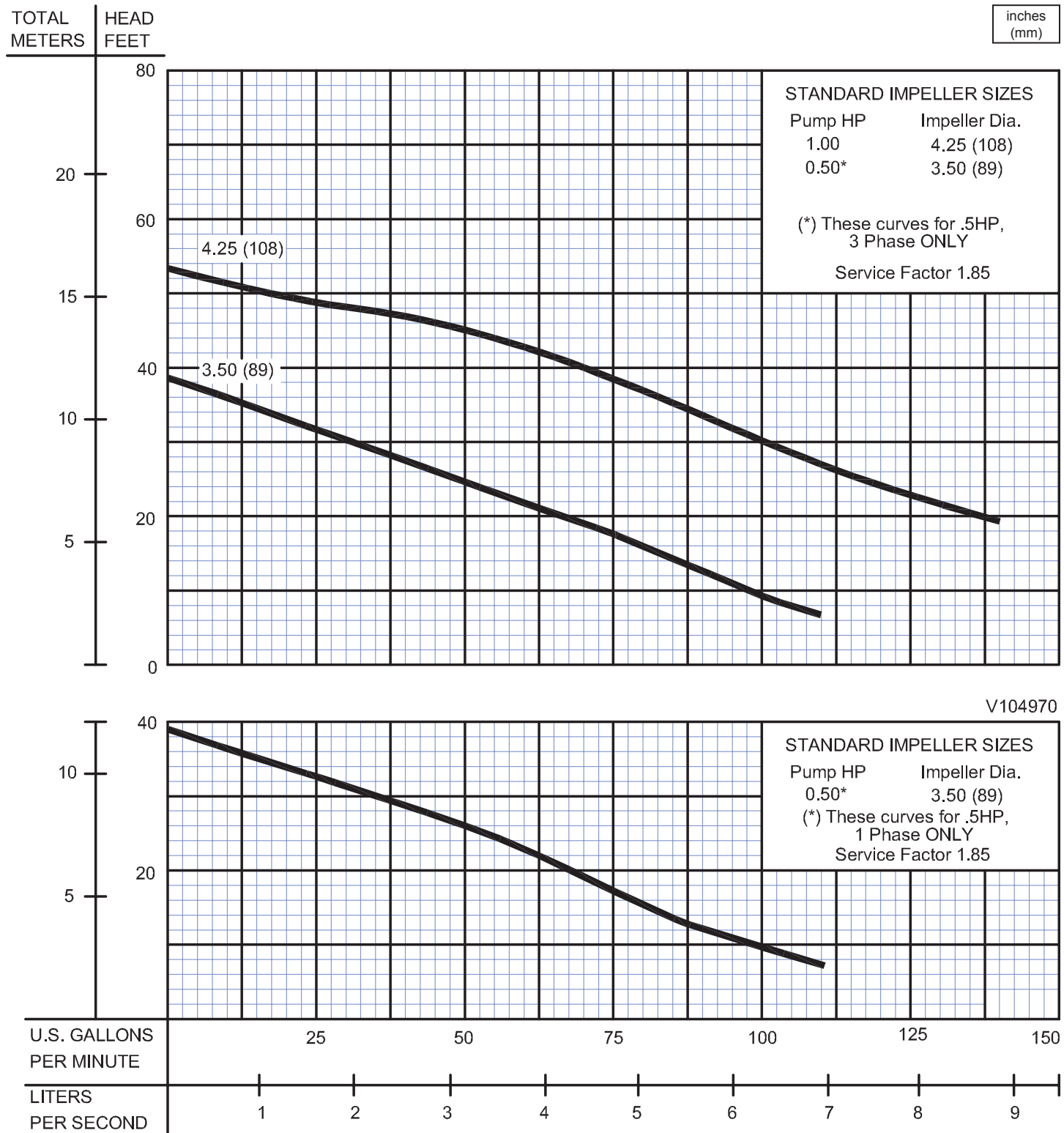
Performance Curve

0.5, 0.75 & 1.0HP, 3450RPM, 60Hz

BARNES®

www.cranepumps.com

1½", 2" & 3" Discharge



Testing is performed with water, specific gravity 1.0 @ 68° F @ (20°C), other fluids may vary performance

SECTION 1B
PAGE 46
DATE 6/04

CRANE®

A Crane Co. Company

PUMPS & SYSTEMS

USA: (937) 778-8947 • Canada: (905) 457-6223 • International: (937) 615-3598