

Specialty Pumps

DISCHARGE:

SF Series2" NPT, Female, Vertical, Bolt-on Flange
 3SF Series.....3" NPT, Female, Vertical, Bolt-on Flange

LIQUID TEMPERATURE 104°F (40°C) Continuous

VOLUTE Cast Iron ASTM A-48, Class 30

MOTOR HOUSING Cast Iron ASTM A-48, Class 30

SEAL PLATE Cast Iron ASTM A-48, Class 30

IMPELLER: Design 2 Vane open, with pump out vanes on back side. Dynamically balanced, ISO G6.3

Material Cast Iron ASTM A-48, Class 30

SHAFT 416 Stainless Steel

SQUARE RINGS..... Buna-N

HARDWARE 300 Series Stainless Steel

PAINT Air Dry Enamel

SEAL: Design Single Mechanical

Material Silicon/Silicon/Buna-N

Hardware -300 Series Stainless

CORD ENTRY 15 ft. (5m) Cord with plug on 120 Volt

Quick Connect, Custom Molded for sealing and strain relief

UPPER BEARING..... Single Row, Ball, Oil Lubricated

LOWER BEARING..... Single Row, Ball, Oil Lubricated

MOTOR: Design NEMA L Torque curve, Oil Filled, Squirrel cage Induction

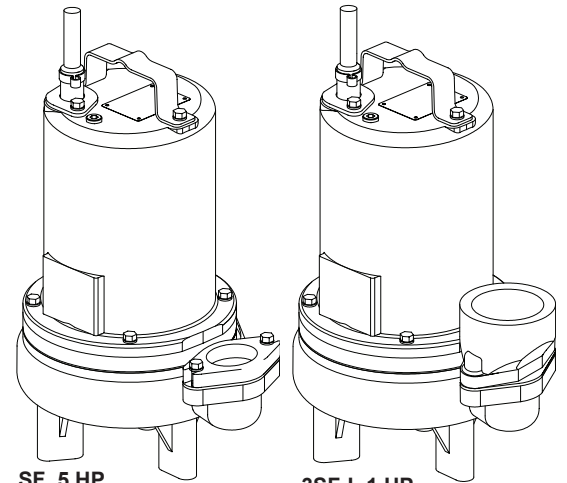
Insulation..... Class B

Class F on selected models

SINGLE PHASE..... Permanent Split Capacitor (PSC).

Includes thermal overload protection in motor

OPTIONAL EQUIPMENT..... Seal Material, Additional cord and Impeller trims



Series:

SF - .5HP, 1750RPM, 60Hz

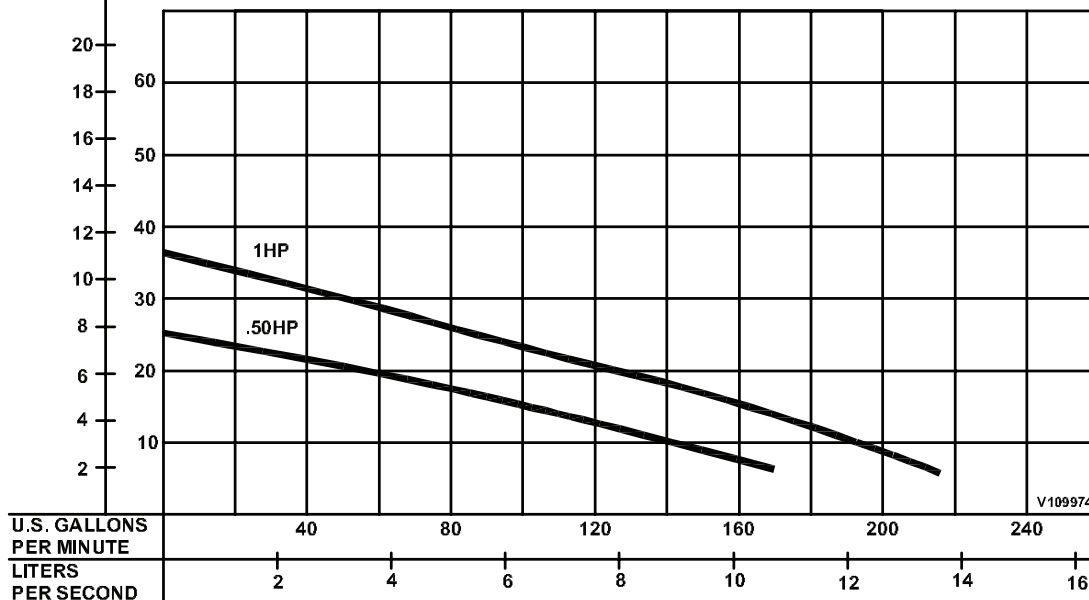
3SF-L - 1HP, 1750RPM, 60Hz



DESCRIPTION:

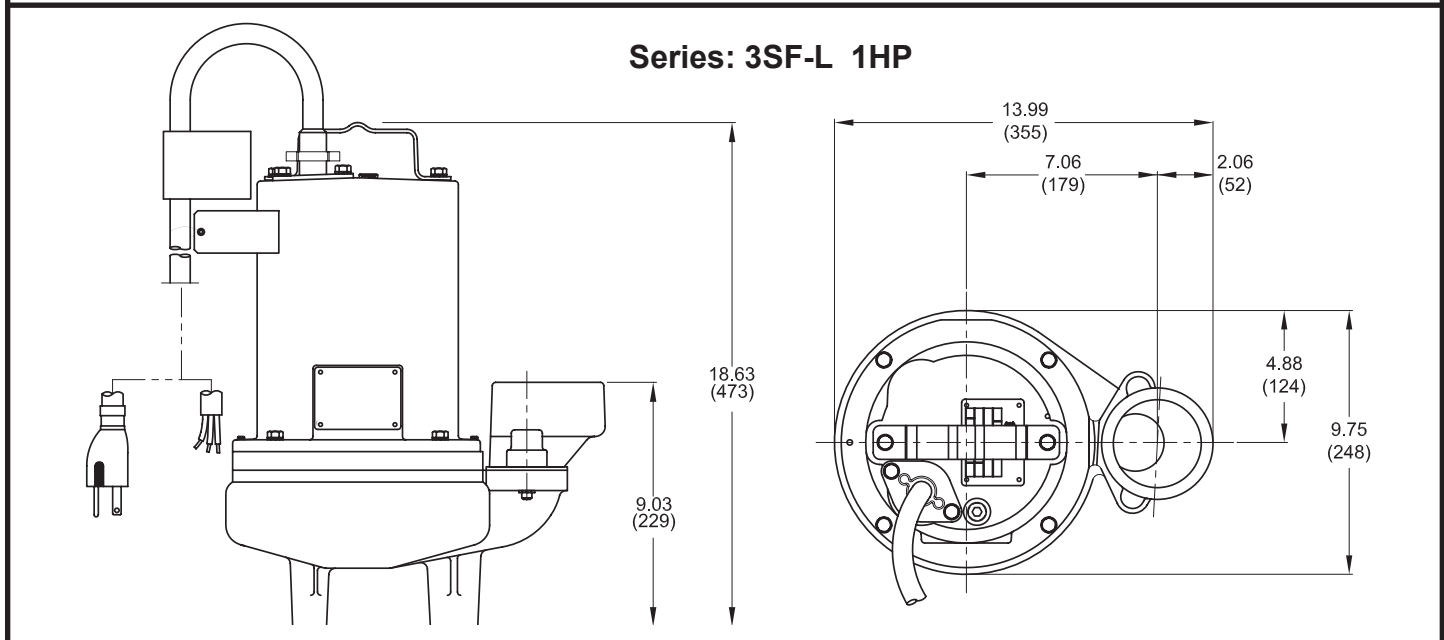
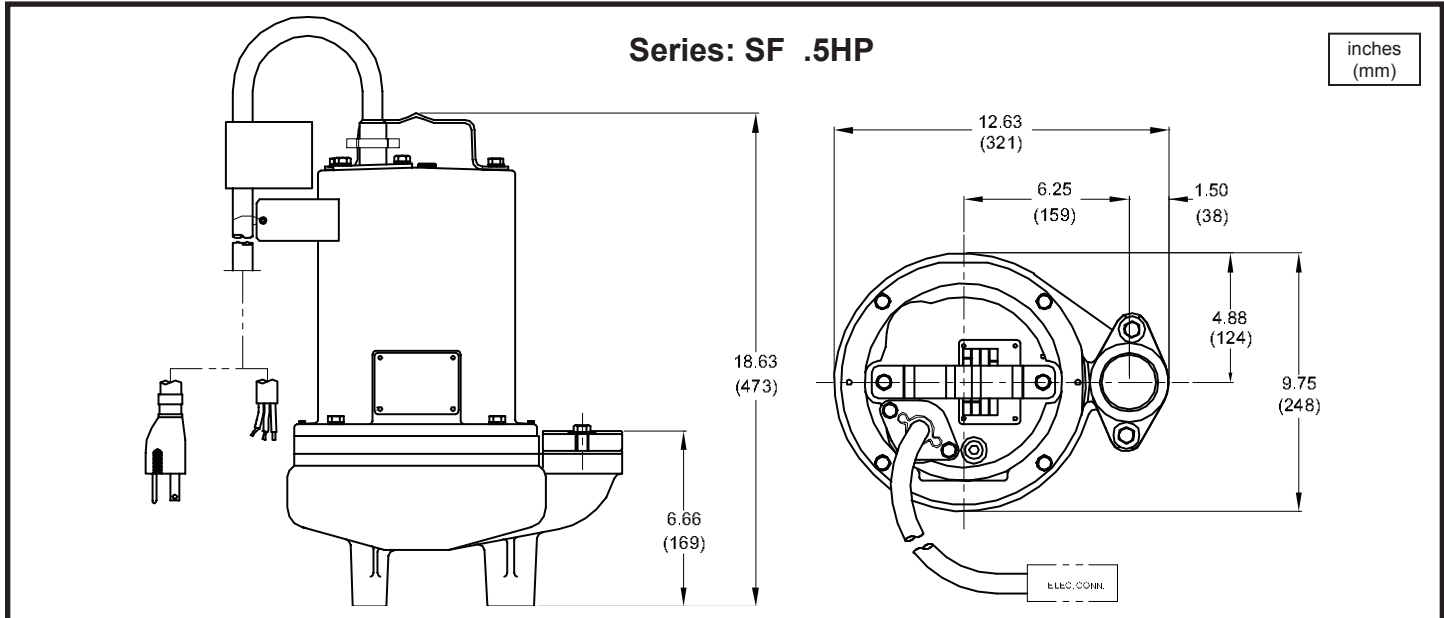
THESE PUMP ARE SPECIALLY DESIGNED FOR USE IN DRAMATIC, DECORATIVE WATER DISPLAYS

TOTAL HEAD METERS | **HEAD FEET**



Testing is performed with water specific gravity of 1.0 @ 68°F (20°C), other fluids may vary performance

Specialty Pumps



MODEL NO	PART NO	HP	VOLT/PH	Hz	RPM (Nom)	NEMA START CODE	INSUL. CLASS	FULL LOAD AMPS	LOCKED ROTOR AMPS	CORD SIZE	CORD TYPE	CORD O.D. inch (mm)
SF51	109974	0.5	120/1	60	1750	F	B	11.6	21.3	14/3	SJTOW	0.375 (9.5)
3SF1074L	109975	1.0	200-240/1	60	1750	D/G	F	8.8/8.3	21.5/25.8	14/3	SOW	0.530 (13.5)

IMPORTANT !

- 1.) **DO NOT USE TO PUMP FLAMMABLE LIQUIDS.**
- 2.) INSTALLATIONS SUCH AS DECORATIVE FOUNTAINS OR WATER FEATURES PROVIDED FOR VISUAL ENJOYMENT MUST BE INSTALLED IN ACCORDANCE WITH THE NATIONAL ELECTRIC CODE ANSI/NFPA 70 AND/OR THE AUTHORITY HAVING JURISDICTION. THIS PUMP IS NOT INTENDED FOR USE IN SWIMMING POOLS, RECREATIONAL WATER PARKS, OR INSTALLATIONS IN WHICH HUMAN CONTACT WITH PUMPED MEDIA IS A COMMON OCCURRENCE.