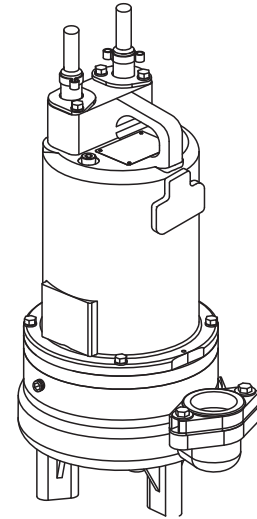


**Submersible Effluent Pumps**

<b>DISCHARGE</b> .....	2" NPT, Female, Vertical
<b>LIQUID TEMPERATURE</b> .....	104°F (40°C) Continuous
<b>VOLUTE</b> .....	Cast Iron ASTM A-48, Class 30
<b>MOTOR HOUSING</b> .....	Cast Iron ASTM A-48, Class 30
<b>SEAL PLATE</b> .....	Cast Iron ASTM A-48, Class 30
<b>IMPELLER:</b> <i>Design</i> .....	Single Vane, Enclosed
<i>Material</i> .....	Polypropylene with stainless steel insert Dynamically Balanced, ISO G6.3
<b>SHAFT</b> .....	416 Stainless Steel
<b>SQUARE RINGS</b> .....	Buna-N
<b>HARDWARE</b> .....	300 Series Stainless Steel
<b>PAINT</b> .....	Air Dry Enamel
<b>SEAL:</b> <i>Design</i> .....	Tandem Mechanical, Oil Filled reservoir
<i>Material</i> .....	Carbon/Ceramic/Buna-N Hardware -300 Series Stainless
<b>CORD ENTRY</b> .....	15 ft. (5m) Cord with plug on 120 volt & 240 volt, 1 phase. Quick connect custom molded for sealing and strain relief
<b>UPPER BEARING</b> .....	Single Row, Ball, Oil Lubricated
<b>LOWER BEARING</b> .....	Single Row, Ball, Oil Lubricated
<b>MOTOR:</b> <i>Design</i> .....	NEMA L -Single Phase, NEMA B -Three phase Torque Curve, Oil Filled, Squirrel Cage Induction
<i>Insulation</i> .....	Class B
<b>SINGLE PHASE</b> .....	Permanent Split Capacitor (PSC) Includes Overload Protection in Motor
<b>THREE PHASE</b> .....	200-240/480 is Tri-Voltage. 600V. Requires Overload Protection to be included in control panel
<b>OPTIONAL EQUIPMENT</b> .....	Seal Material, Impeller Trims, Additional cord, Normally Closed Temperature Sensors with cord for 3 phase pumps (Requires relay in control panel), Normally Open Moisture Sensors with cord (Requires relay in control panel).
<b>ACCESSORIES</b> .....	Break Away Fitting (BAF) Check Valve Control Panel



Series: STEP-DS  
.5 & 1HP, 3450RPM, 60Hz

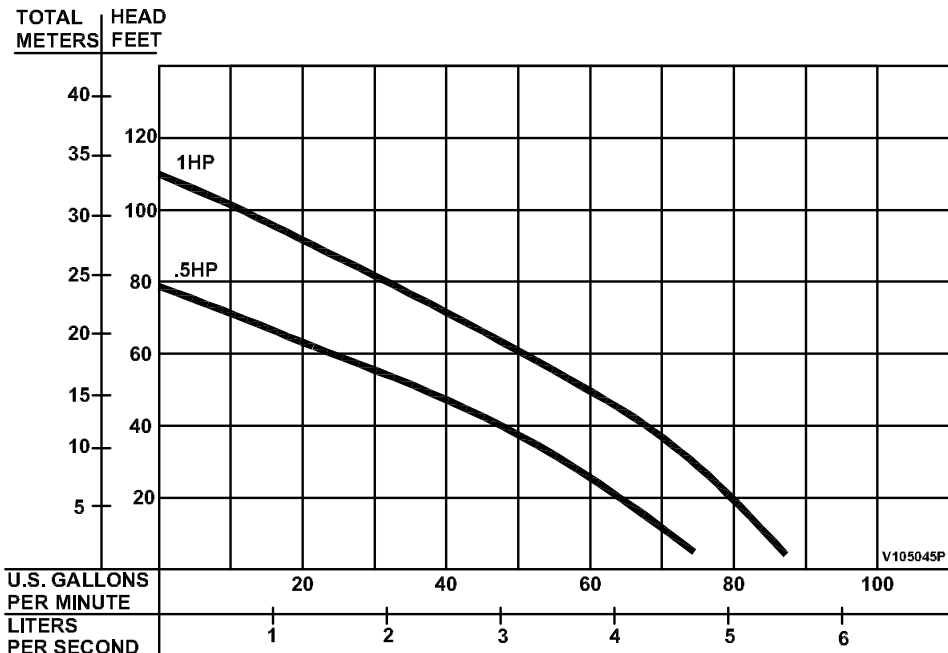


CSA 108 - File No. LR16567  
UL 778

NRTLIC

**DESCRIPTION:**

PUMP IS DESIGNED FOR HANDLING SEWAGE  
EFFLUENT IN TYPICAL SEPTIC TANK/EFFLUENT  
APPLICATIONS

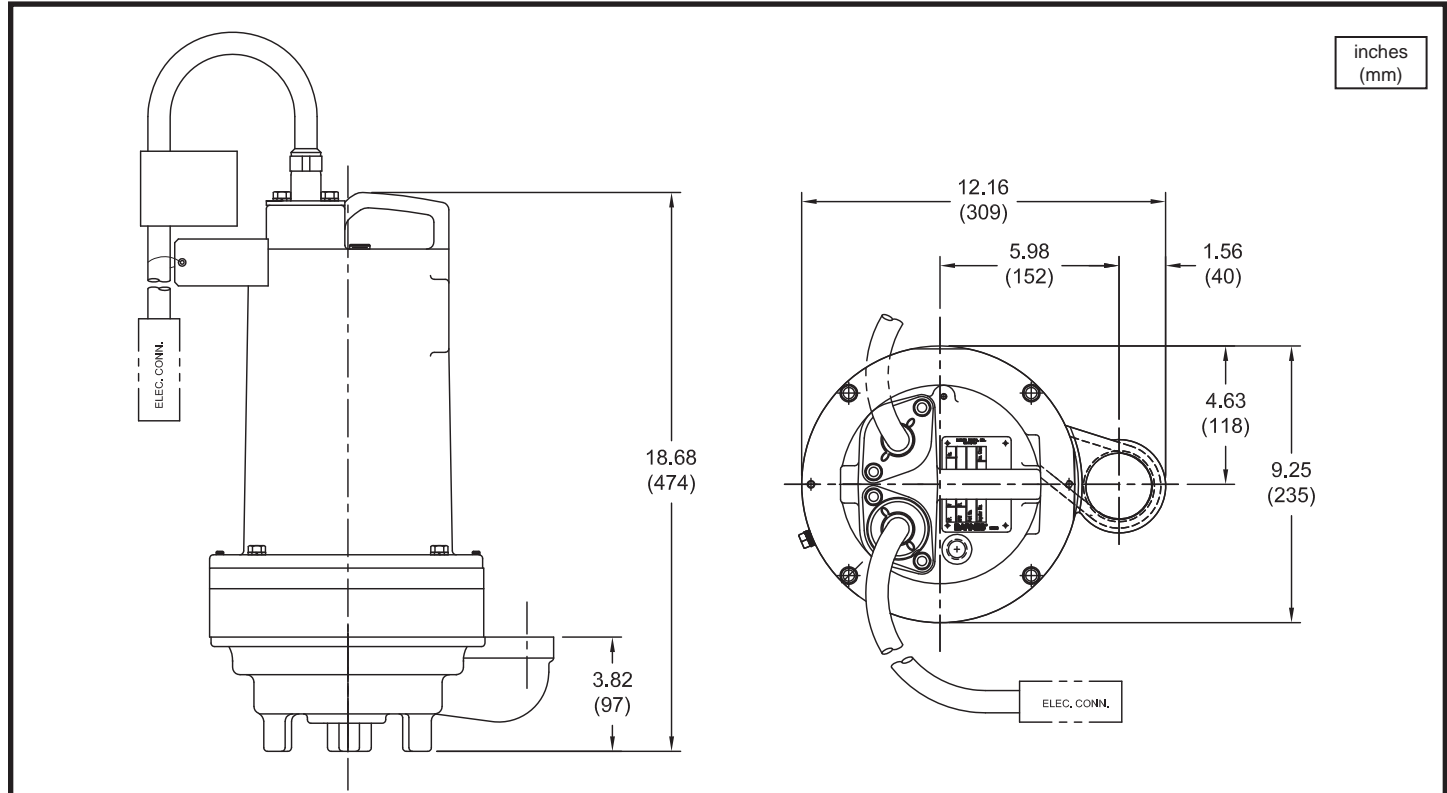


Testing is performed with water specific gravity of 1.0 @ 68°F (20°C), other fluids may vary performance

# Series STEP-DS

3/4" Spherical Solids Handling  
Double Seal

## Submersible Effluent Pumps



MODEL NO	PART NO	HP	VOLT/PH	Hz	RPM (Nom)	NEMA START CODE	FULL LOAD AMPS	LOCKED ROTOR AMPS	CORD SIZE	CORD TYPE	CORD O.D inch (mm)
STEP512DS	105040	0.5	120/1	60	3450	G	11.9	24.6	14/3	SJTOW	0.375 (9.5)
STEP522DS	105041	0.5	240/1	60	3450	E	5.1	10.2	14/3	SOW	0.530 (13.5)
STEP592DS	105042	0.5	200/240/3	60	3450	P/R	4.5/4.5	19.9/18.4	14/4	SOW	0.570 (14.5)
STEP542DS	105043	0.5	480/3	60	3450	R	2.2	9.1	14/4	SOW	0.570 (14.5)
STEP552DS	105044	0.5	600/3	60	3450	T	1.8	8.7	14/4	SOW	0.570 (14.5)
STEP1022DS	105050	1.0	240/1	60	3450	F	8.3	21.8	14/3	SOW	0.530 (13.5)
STEP1092DS	105051	1.0	200/240/3	60	3450	H/J	5.9/5.6	19.9/18.4	14/4	SOW	0.570 (14.5)
STEP1042DS	105052	1.0	480/3	60	3450	J	2.8	9.1	14/4	SOW	0.570 (14.5)
STEP1052DS	105053	1.0	600/3	60	3450	L	2.2	8.7	14/4	SOW	0.570 (14.5)

OPTIONAL - Temperature sensor cord for 3 phase models is 14/3 SOW, .530 (13.5mm) O.D.  
 OPTIONAL - Moisture sensor cord is 18/5 SOW, 0.470 (11.9mm) O.D.  
 OPTIONAL - Moisture and Temperature sensor cord for 3 phase models is 18/5 SOW, 0.470 (11.9mm) O.D.

**IMPORTANT !**

- 1.) PUMP MAY BE OPERATED "DRY" FOR EXTENDED PERIODS WITHOUT DAMAGE TO MOTOR AND/OR SEALS.
- 2.) INSTALLATIONS SUCH AS DECORATIVE FOUNTAINS OR WATER FEATURES PROVIDED FOR VISUAL ENJOYMENT MUST BE INSTALLED IN ACCORDANCE WITH THE NATIONAL ELECTRIC CODE ANSI/NFPA 70 AND/OR THE AUTHORITY HAVING JURISDICTION. THIS PUMP IS NOT INTENDED FOR USE IN SWIMMING POOLS, RECREATIONAL WATER PARKS, OR INSTALLATIONS IN WHICH HUMAN CONTACT WITH PUMPED MEDIA IS A COMMON OCCURRENCE.