

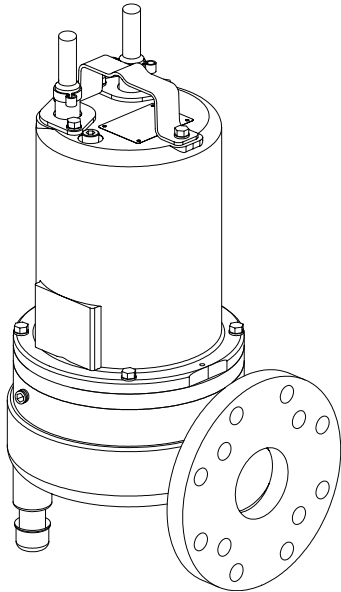
Series 4SE-DS

2" Spherical Solids Handling

BARNES®

www.cranepumps.com

4" Horizontal Discharge - Submersible Non-Clog Pumps



- DISCHARGE** 3" & 4" 125lb., Flange Horizontal
- LIQUID TEMPERATURE** 104°F (40°C) Continuous
- VOLUTE** Cast Iron ASTM A-48, Class 30
- MOTOR HOUSING** Cast Iron ASTM A-48, Class 30
- SEAL PLATE** Cast Iron ASTM A-48, Class 30
- IMPELLER:**
 - Design* 2 Vane, Open with pump out vanes on back side, Dynamically Balanced, ISO G6.3
 - Material* Cast Iron ASTM A-48, Class 30
- SHAFT** 416 Stainless Steel
- SQUARE RINGS** Buna-N
- HARDWARE** 300 Series Stainless Steel
- PAINT** Air Dry Enamel
- SEAL:**
 - Design* Tandem Mechanical, Oil filled reservoir
 - Material* Carbon/Ceramic/Buna-N
 - Hardware - 300 Series Stainless
- CORD ENTRY** 30 ft. (9.1m) Quick Disconnect Cord with plug On 120Volt, Custom Molded for sealing and strain relief
- SPEED** 1750 RPM (Nominal)
- UPPER BEARING** Single Row, Ball, Oil Lubricated
 - Load* Radial
- LOWER BEARING** Single Row, Ball, Oil Lubricated
 - Load* Radial & Thrust
- MOTOR:**
 - Design* NEMA L- Single Phase, NEMA B - Three Phase Torque Curve, Oil Filled, Squirrel Cage Induction
 - Insulation* Class B
 - Class F on selected models
- SINGLE PHASE** Permanent Split Capacitor (PSC) Includes Overload Protection in Motor
- THREE PHASE** 200-240/480 is Tri Voltage motor. 600V Requires Overload Protection to be included in Control Panel
- OPTIONAL EQUIPMENT** Seal Material, Impeller Trims, Additional Cord, Normally Closed (N/C) Temperature Sensor with cord for 3 phase pumps (Requires relay in control panel). Normally Open (N/O) Moisture Sensor with cord for DS pumps (Requires relay in control panel).

RECOMMENDED:

- Accessories* Break Away Fitting (BAF)
- Check Valve
- Control Panel
- Seal Kit PN* 130176
- Service Kit PN*. 130172

Series: 4SE-DS
0.9, 1.4 & 1.9HP,
1750RPM, 60Hz



Sample Specifications: Section 1 Page 13.

DESCRIPTION:

SUBMERSIBLE NON-CLOG SEWAGE PUMP
DESIGNED FOR TYPICAL RAW SEWAGE
APPLICATIONS

SECTION 1D
 PAGE 4
 DATE 11/15

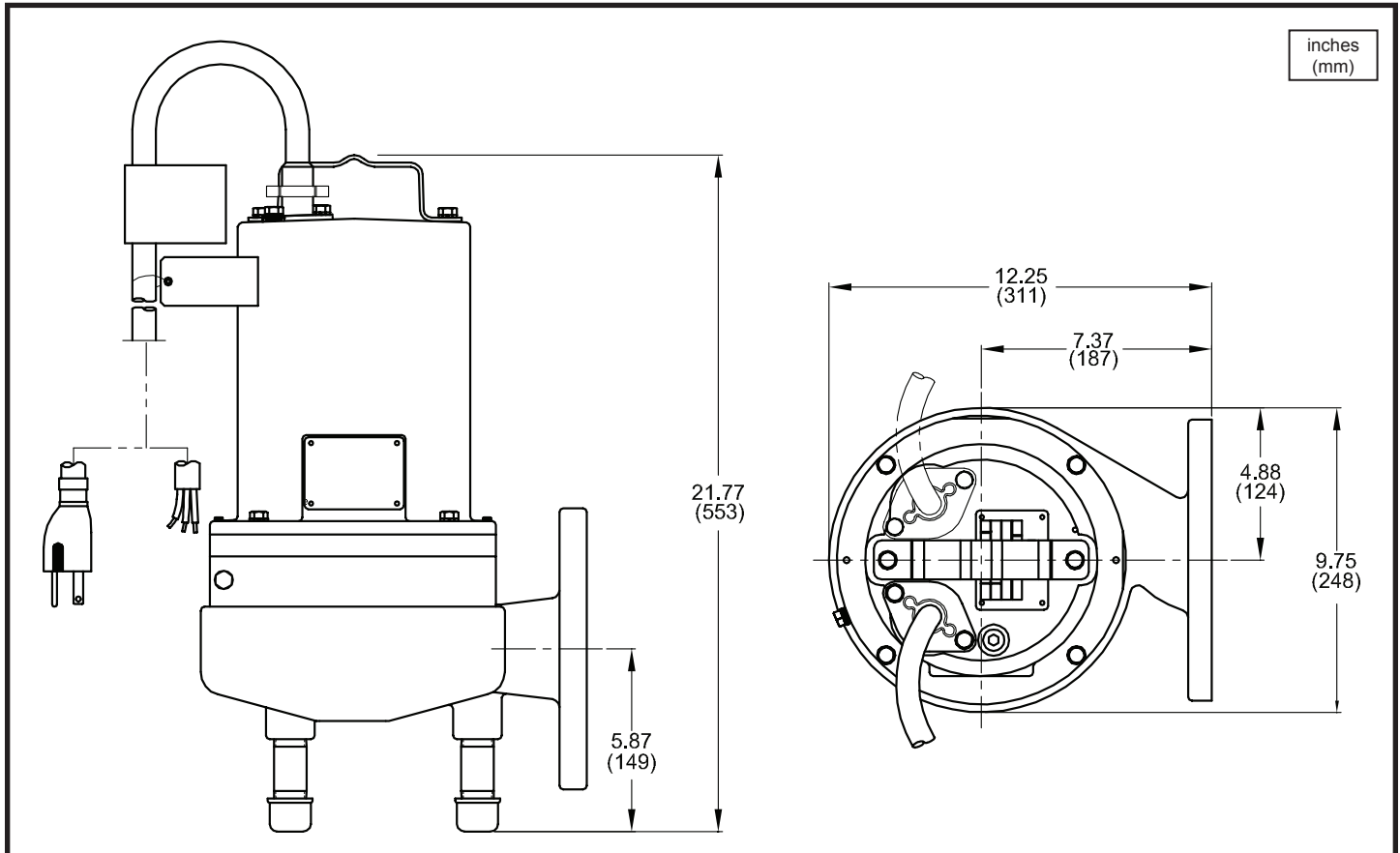


A Crane Co. Company

PUMPS & SYSTEMS

USA: (937) 778-8947 • Canada: (905) 457-6223 • International: (937) 615-3598

4" Horizontal Discharge - Submersible Non-Clog Pumps



MODEL NO	PART NO	HP	VOLT/PH	Hz	RPM (Nom)	NEMA START CODE	INSUL. CLASS	FULL LOAD AMPS	LOCKED ROTOR AMPS	CORD SIZE	CORD TYPE	CORD O.D inch (mm)
4SE914DS	105019	0.9	120/1	60	1750	A	B	11.6	21.3	14/3	SJTOW	0.373 (9.5)
4SE924DS	105020	0.9	240/1	60	1750	C	B	5.9	14.9	14/3	SOW	0.530 (13.5)
4SE994DS	105021	0.9	200-240/3	60	1750	C/F	B	3.2/3.0	9.8/11.0	14/4	SOW	0.570 (14.5)
4SE944DS	105022	0.9	480/3	60	1750	E	B	1.5	5.3	14/4	SOW	0.570 (14.5)
4SE954DS	105023	0.9	600/3	60	1750	C	B	1.0	3.4	14/4	SOW	0.570 (14.5)
4SE1474DS	105028	1.4	200-240/1	60	1750	A/D	F	7.4/7.0	21.5/25.8	14/3	SOW	0.530 (13.5)
4SE1494DS	105029	1.4	200-240/3	60	1750	B/E	F	4.8/4.5	13.7/15.4	14/4	SOW	0.570 (14.5)
4SE1444DS	105030	1.4	480/3	60	1750	E	F	2.2	7.7	14/4	SOW	0.570 (14.5)
4SE1454DS	105031	1.4	600/3	60	1750	F	F	1.5	7.2	14/4	SOW	0.570 (14.5)
4SE1974DS	105036	1.9	200-240/1	60	1750	A/B	F	8.8/8.3	21.5/25.8	14/3	SOW	0.530 (13.5)
4SE1994DS	105037	1.9	200-240/3	60	1750	A/B	F	5.3/5.1	13.7/15.4	14/4	SOW	0.570 (14.5)
4SE1944DS	105038	1.9	480/3	60	1750	B	B	2.5	7.7	14/4	SOW	0.570 (14.5)
4SE1954DS	105039	1.9	600/3	60	1750	C	F	1.9	7.2	14/4	SOW	0.570 (14.5)

OPTIONAL - Temperature sensor cord for 3 phase models is 14/3 SOW, 0.530 (13.5mm) O.D.

OPTIONAL - Moisture sensor cord is 18/5 SOW, 0.470 (12mm) O.D.

OPTIONAL - Moisture & Temperature sensor cord for 3 phase models is 18/5 SOW, 0.470 (12mm) O.D.

IMPORTANT !

- PUMP MAY BE OPERATED "DRY" FOR EXTENDED PERIODS WITHOUT DAMAGE TO MOTOR AND/OR SEALS.
- INSTALLATIONS SUCH AS DECORATIVE FOUNTAINS OR WATER FEATURES PROVIDED FOR VISUAL ENJOYMENT MUST BE INSTALLED IN ACCORDANCE WITH THE NATIONAL ELECTRIC CODE ANSI/NFPA 70 AND/OR THE AUTHORITY HAVING JURISDICTION. THIS PUMP IS NOT INTENDED FOR USE IN SWIMMING POOLS, RECREATIONAL WATER PARKS, OR INSTALLATIONS IN WHICH HUMAN CONTACT WITH PUMPED MEDIA IS A COMMON OCCURRENCE.

Series 4SE-DS

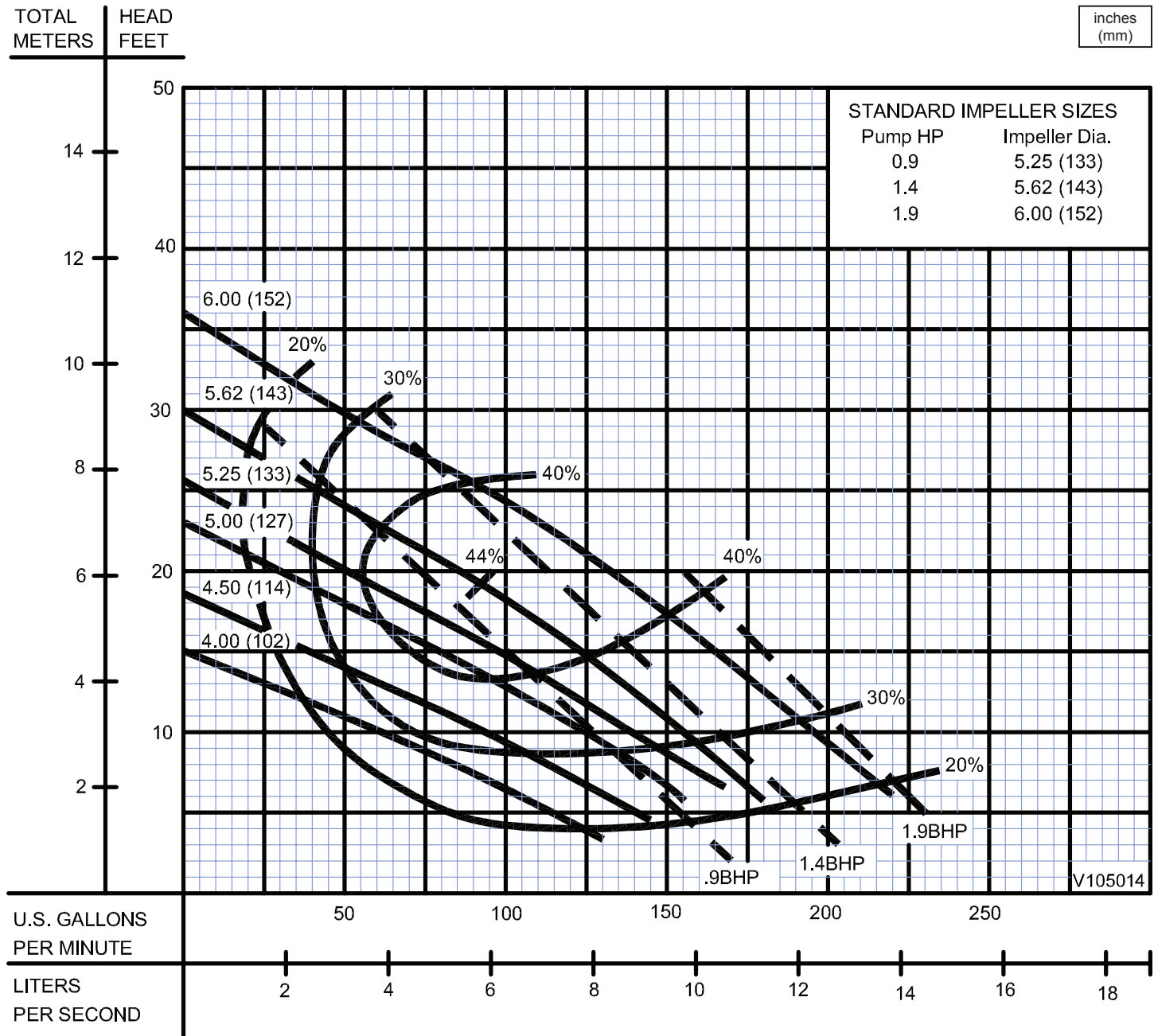
Performance Curve

0.9, 1.4 & 1.9HP, 1750RPM, 60Hz

BARNES®

www.cranepumps.com

4" Horizontal Discharge - Submersible Non-Clog Pumps



Testing is performed with water, specific gravity 1.0 @ 68° F @ (20°C), other fluids may vary performance

SECTION 1D
PAGE 6
DATE 1/05

CRANE
A Crane Co. Company

PUMPS & SYSTEMS

USA: (937) 778-8947 • Canada: (905) 457-6223 • International: (937) 615-3598