



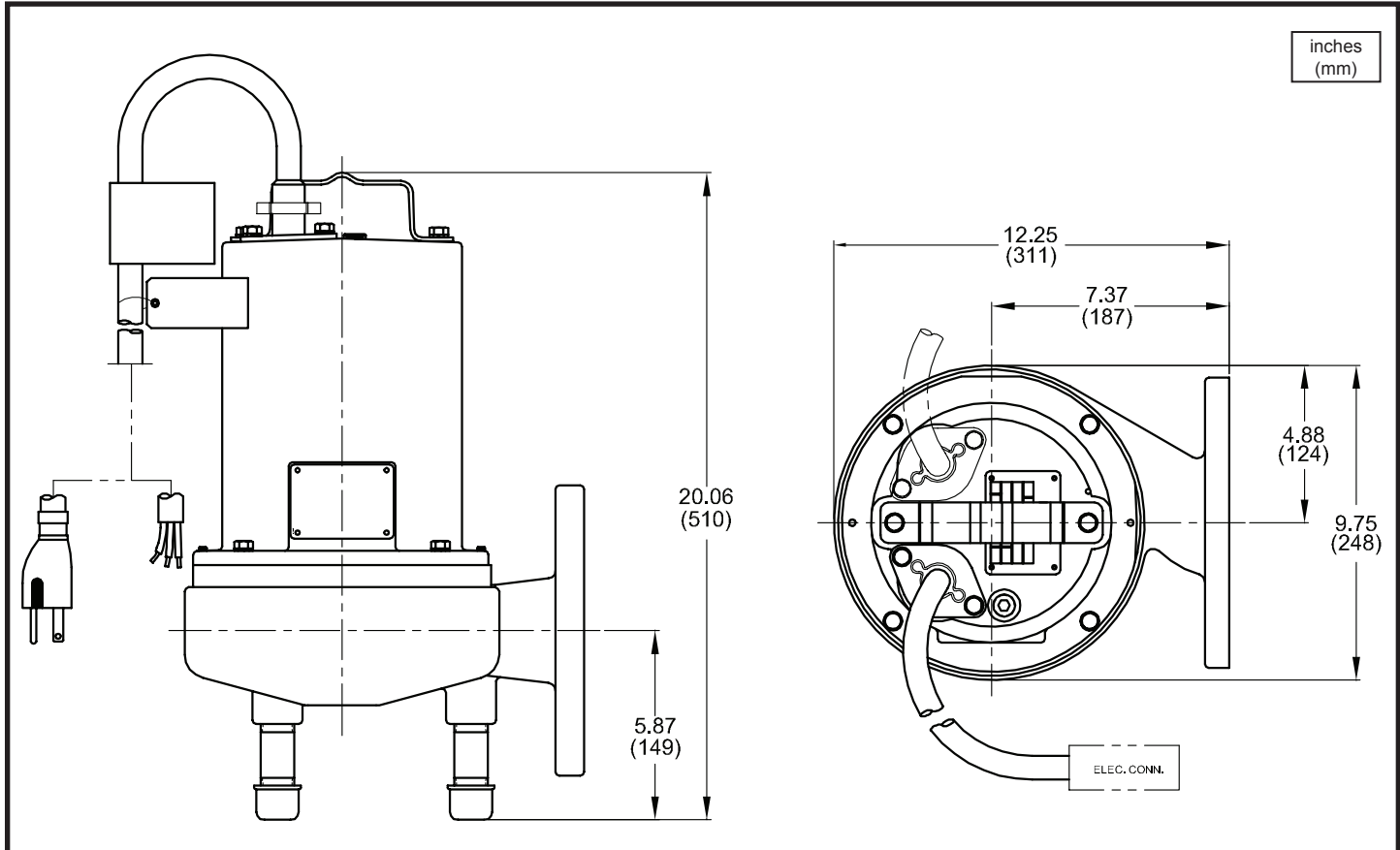
# Series 4SE-L

2" Spherical Solids Handling

# BARNES®

www.cranepumps.com

## 4" Horizontal Discharge - Submersible Non-Clog Pumps



MODEL NO	PART NO	HP	VOLT/PH	Hz	RPM (Nom)	NEMA START CODE	INSUL. CLASS	FULL LOAD AMPS	LOCKED ROTOR AMPS	CORD SIZE	CORD TYPE	CORD O.D inch (mm)
4SE914L	105014	0.9	120/1	60	1750	A	B	11.6	21.3	14/3	SJTOW	0.373 (9.5)
4SE924L	105015	0.9	240/1	60	1750	C	B	5.9	14.9	14/3	SOW	0.530 (13.5)
4SE994L	105016	0.9	200-240/3	60	1750	C/F	B	3.2/3.0	9.8/11.0	14/4	SOW	0.570 (14.5)
4SE944L	105017	0.9	480/3	60	1750	E	B	1.5	5.3	14/4	SOW	0.570 (14.5)
4SE954L	105018	0.9	600/3	60	1750	C	B	1.0	3.4	14/4	SOW	0.570 (14.5)
4SE1474L	105024	1.4	200-240/1	60	1750	A/D	F	7.4/7.0	21.5/25.8	14/3	SOW	0.530 (13.5)
4SE1494L	105025	1.4	200-240/3	60	1750	B/E	B	4.8/4.5	13.7/15.4	14/4	SOW	0.570 (14.5)
4SE1444L	105026	1.4	480/3	60	1750	E	B	2.2	7.7	14/4	SOW	0.570 (14.5)
4SE1454L	105027	1.4	600/3	60	1750	F	B	1.5	7.2	14/4	SOW	0.570 (14.5)
4SE1974L	105032	1.9	200-240/1	60	1750	A/B	F	8.8/8.3	21.5/25.8	14/3	SOW	0.530 (13.5)
4SE1994L	105033	1.9	200-240/3	60	1750	A/B	B	5.3/5.1	13.7/15.4	14/4	SOW	0.570 (14.5)
4SE1944L	105034	1.9	480/3	60	1750	B	B	2.5	7.7	14/4	SOW	0.570 (14.5)
4SE1954L	105035	1.9	600/3	60	1750	C	B	1.9	7.2	14/4	SOW	0.570 (14.5)

OPTIONAL - Temperature sensor cord for 3 phase models is 14/3 SOW, 0.530 (13.5mm) O.D.

### IMPORTANT !

- 1.) PUMP MAY BE OPERATED "DRY" FOR EXTENDED PERIODS WITHOUT DAMAGE TO MOTOR AND/OR SEALS.
- 2.) INSTALLATIONS SUCH AS DECORATIVE FOUNTAINS OR WATER FEATURES PROVIDED FOR VISUAL ENJOYMENT MUST BE INSTALLED IN ACCORDANCE WITH THE NATIONAL ELECTRIC CODE ANSI/NFPA 70 AND/OR THE AUTHORITY HAVING JURISDICTION. THIS PUMP IS NOT INTENDED FOR USE IN SWIMMING POOLS, RECREATIONAL WATER PARKS, OR INSTALLATIONS IN WHICH HUMAN CONTACT WITH PUMPED MEDIA IS A COMMON OCCURRENCE.

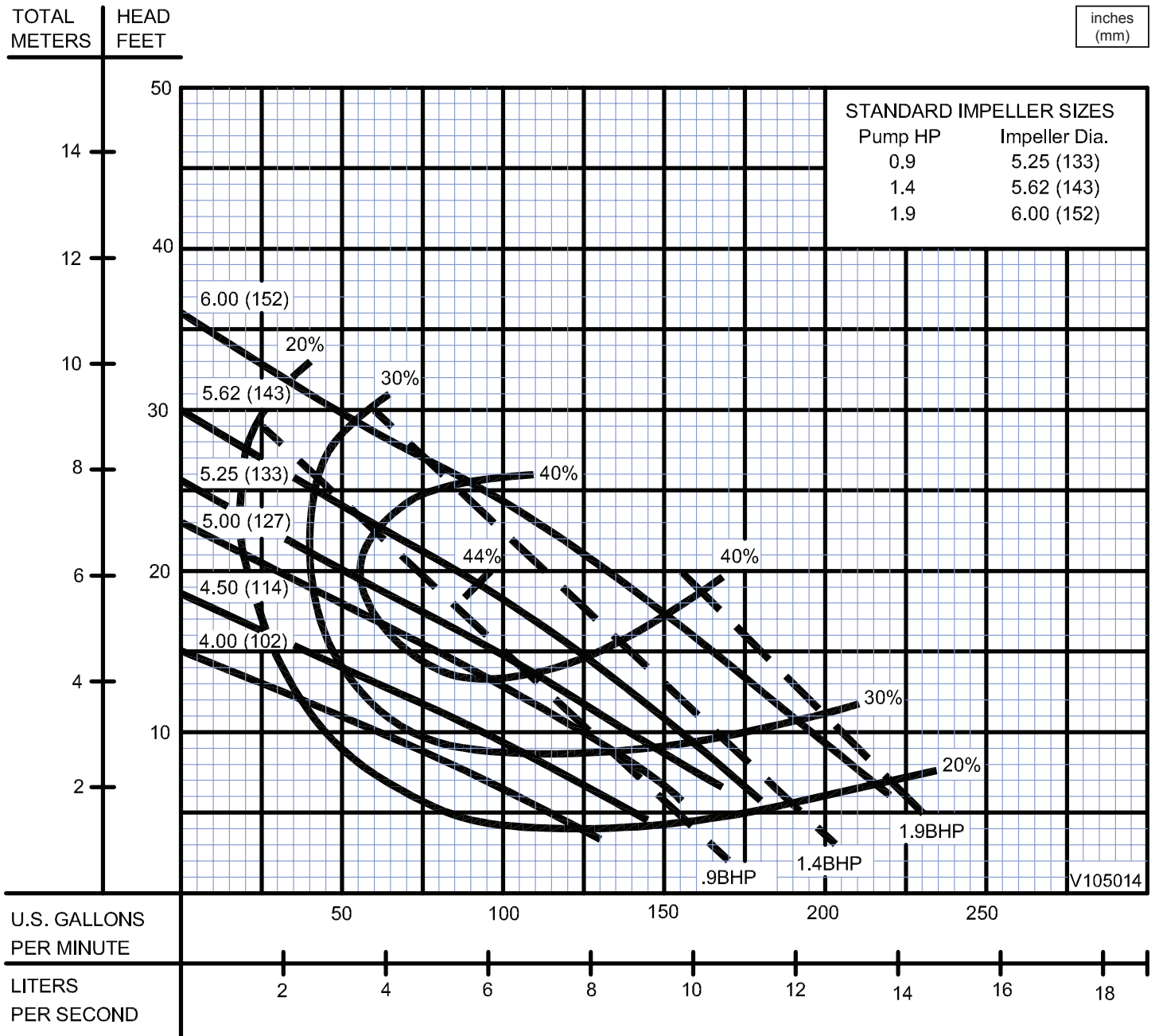
SECTION 1D  
PAGE 2  
DATE 11/15

**CRANE**  
A Crane Co. Company

PUMPS & SYSTEMS

USA: (937) 778-8947 • Canada: (905) 457-6223 • International: (937) 615-3598

### 4" Horizontal Discharge - Submersible Non-Clog Pumps



Testing is performed with water, specific gravity 1.0 @ 68° F @ (20°C), other fluids may vary performance