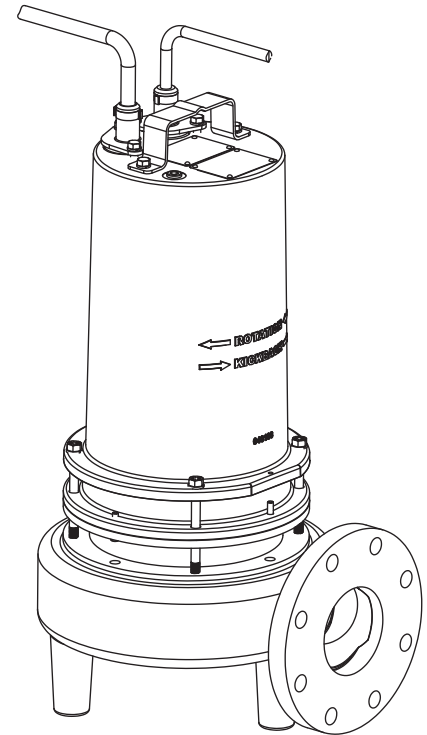


## 4" Horizontal Discharge - Submersible Non-Clog Pumps

<b>DISCHARGE</b> .....	4" 125lb., Flange Horizontal
<b>LIQUID TEMPERATURE</b> .....	104°F (40°C) Continuous
<b>VOLUTE</b> .....	Cast Iron ASTM A-48, Class 30
<b>MOTOR HOUSING</b> .....	Cast Iron ASTM A-48, Class 30
<b>SEAL PLATE</b> .....	Cast Iron ASTM A-48, Class 30
<b>SPACER</b> .....	Cast Iron ASTM A-48, Class 30
<b>IMPELLER: Design</b> .....	Vortex, 8 Vane with pump out vanes on back side, Dynamically Balanced, ISO G6.3
<i>Material</i> .....	Cast Iron ASTM, Class 30
<b>SHAFT</b> .....	416 Stainless Steel
<b>SQUARE RINGS</b> .....	Buna-N
<b>DIAPHRAGM</b> .....	Buna-N
<b>HARDWARE</b> .....	300 Series Stainless Steel
<b>LIFTING BAIL</b> .....	304 Stainless Steel
<b>PAINT</b> .....	Air Dry Enamel (Epoxy Optional)
<b>SEAL: Design</b> .....	Double Mechanical, Oil filled pressure equalized reservoir
<i>Material</i> .....	Carbon/Ceramic/Buna-N Hardware - 300 Series Stainless
<b>CORD ENTRY</b> .....	30 ft. (9.1 m) Cord. Quick connect custom molded for sealing and strain relief
<b>SPEED</b> .....	1750 RPM (Nominal)
<b>BEARINGS: Upper</b> .....	Single Row, Ball, Oil Lubricated
<i>Load</i> .....	Radial
<i>Lower</i> .....	Single Row, Ball, Oil Lubricated
<i>Load</i> .....	Radial
<i>Life</i> .....	50,000 HR L10 Design
<b>MOTOR: Design</b> .....	NEMA L- Single Phase, NEMA B - Three Phase Torque Curve, Oil Filled, Squirrel Cage Induction
<i>Winding</i> .....	Class B, Class H rated Magnet Wire Class F on selected models
<i>Service Factor</i> .....	1.15
<b>SINGLE PHASE</b> .....	Permanent Split Capacitor (PSC) Includes Overload Protection in Motor
<b>THREE PHASE</b> .....	200-230/460 is Tri Voltage motor. 575. Requires Overload Protection to be included in Control Panel, VFD Suitable
<b>MOISTURE SENSOR</b> .....	Normally Open (N/O), Requires relay in control panel
<b>TEMPERATURE SENSOR</b> ..	Normally Closed (N/C), Requires relay in control panel. For three phase units ONLY
<b>OPTIONAL EQUIPMENT</b> .....	Seal Material, Impeller Trims, Additional Cord, Epoxy Paint

**RECOMMENDED:**

- Accessories*..... Break Away Fitting (BAF)  
Check Valve  
Control Panel
- Seal Kit PN* ..... 130178
- Service Kit PN*..... 130174



**Series: 4SEV 2.8, 3.7, 5.0HP, 1750RPM, 60Hz**



**DESCRIPTION:**

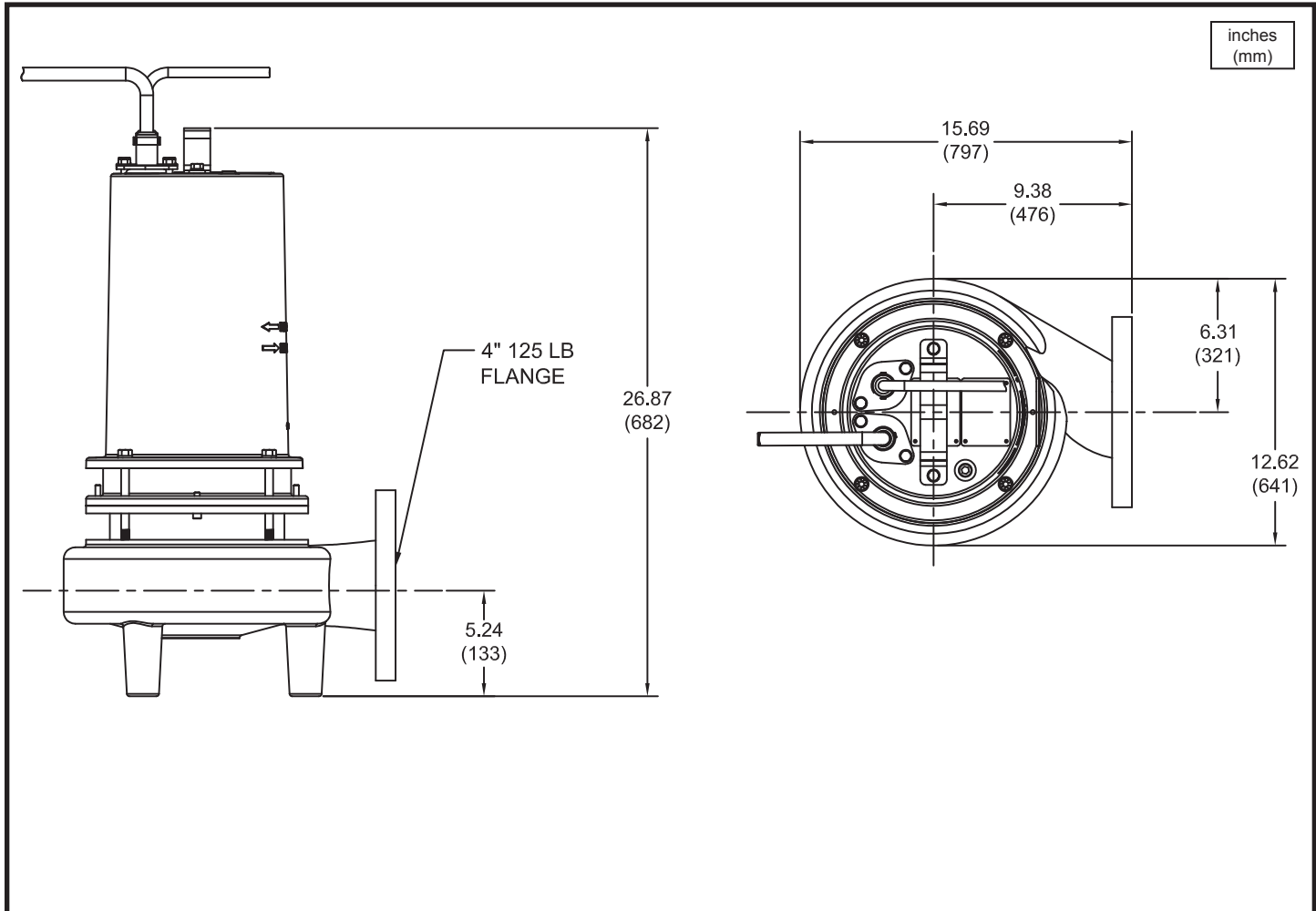
SUBMERSIBLE NON-CLOG SEWAGE PUMP  
DESIGNED FOR TYPICAL RAW SEWAGE  
APPLICATIONS

# Series 4SEV-DS

3" Spherical Solids Handling  
Vortex

# BARNES®

www.cranepumps.com



MODEL NO	PART NO	HP	VOLT/PH	Hz	RPM (Nom)	NEMA START CODE	INSUL. CLASS	FULL LOAD AMPS	LOCKED ROTOR AMPS	CORD SIZE	CORD TYPE	CORD O.D inch (mm)
4SEV2824DS	140214	2.8	230/1	60	1750	A	B	12.6	23.0	12/3	SOOW/SOW	.61 (15.5)
4SEV2894DS	140215	2.8	200-230/3	60	1750	D/G	B	9.2/8.0	35.9/42.7	12/4	SOOW/SOW	.68 (17.4)
4SEV2844DS	140216	2.8	460/3	60	1750	F	B	4.0	18.0	14/4	SOOW/SOW	.57 (14.5)
4SEV2854DS	140217	2.8	575/3	60	1750	F	B	3.2	14.4	14/4	SOOW/SOW	.57 (14.5)
4SEV3724DS	140218	3.7	230/1	60	1750	A	B	20.0	29.0	10/3	SOOW/SOW	.66 (16.8)
4SEV3794DS	140219	3.7	200-230/3	60	1750	B/E	B	16.1/14.0	35.9/42.7	12/4	SOOW/SOW	.68 (17.4)
4SEV3744DS	140220	3.7	460/3	60	1750	E	B	7.0	21.3	14/4	SOOW/SOW	.57 (14.5)
4SEV3754DS	140221	3.7	575/3	60	1750	G	B	5.6	21.6	14/4	SOOW/SOW	.57 (14.5)
4SEV5024DS	140222	5.0	230/1	60	1750	A	F	28.0	59.0	10/3	SOOW/SOW	.66 (16.8)
4SEV5094DS	140223	5.0	200-230/3	60	1750	B/D	F	20.9/19.0	48.6/56.0	10/4	SOOW/SOW	.72 (18.5)
4SEV5044DS	140224	5.0	460/3	60	1750	D	F	9.0	28.0	14/4	SOOW/SOW	.57 (14.5)
4SEV5054DS	140225	5.0	575/3	60	1750	E	B	8.3	23.0	14/4	SOOW/SOW	.57 (14.5)

Moisture/Temperature sensor cord for all models is 18/5 SOOW/SOW, 0.47 (11.9mm) O.D.

### IMPORTANT !

- PUMP MAY BE OPERATED "DRY" FOR EXTENDED PERIODS WITHOUT DAMAGE TO MOTOR AND/OR SEALS.
- INSTALLATIONS SUCH AS DECORATIVE FOUNTAINS OR WATER FEATURES PROVIDED FOR VISUAL ENJOYMENT MUST BE INSTALLED IN ACCORDANCE WITH THE NATIONAL ELECTRIC CODE ANSI/NFPA 70 AND/OR THE AUTHORITY HAVING JURISDICTION. THIS PUMP IS NOT INTENDED FOR USE IN SWIMMING POOLS, RECREATIONAL WATER PARKS, OR INSTALLATIONS IN WHICH HUMAN CONTACT WITH PUMPED MEDIA IS A COMMON OCCURRENCE.

SECTION 1D  
PAGE 16  
DATE 10/16

## CRANE®

A Crane Co. Company

## PUMPS & SYSTEMS

USA: (937) 778-8947 • Canada: (905) 457-6223 • International: (937) 615-3598

### 4" Horizontal Discharge - Submersible Non-Clog Pumps

