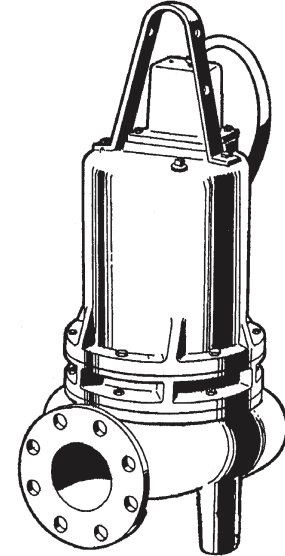


### 4" Horizontal Discharge - Submersible Non-Clog Pumps

<b>DISCHARGE</b> .....	4" 125lb., Flange Horizontal
<b>LIQUID TEMPERATURE</b> .....	104°F (40°C) Continuous
<b>VOLUTE</b> .....	Cast Iron ASTM A-48, Class 30
<b>MOTOR HOUSING</b> .....	Cast Iron ASTM A-48, Class 30
<b>SEAL PLATE</b> .....	Cast Iron ASTM A-48, Class 30
<b>SPACER</b> .....	Cast Iron ASTM A-48, Class 30
<b>IMPELLER:</b>	
<i>Design</i> .....	Vortex, 8 Vane with pump out vanes on back side, Dynamically Balanced, ISO G6.3
<i>Material</i> .....	Cast Iron ASTM A-48, Class 30
<b>SHAFT</b> .....	416 Stainless Steel
<b>SQUARE RINGS</b> .....	Buna-N
<b>DIAPHRAGM</b> .....	Buna-N
<b>HARDWARE</b> .....	300 Series Stainless Steel
<b>LIFTING BAIL</b> .....	304 Stainless Steel
<b>PAINT</b> .....	Air Dry Enamel (Epoxy Optional)
<b>SEAL:</b>	
<i>Design</i> .....	Double Mechanical, Oil filled pressure equalized reservoir
<i>Material</i> .....	Carbon/Ceramic/Buna-N
Hardware .....	300 Series Stainless
<b>CORD ENTRY</b> .....	40 ft. (12.1 m) Cord. Epoxy Sealed Housing with secondary pressure grommet for sealing and strain relief
<b>SPEED</b> .....	1750 RPM (Nominal)
<b>BEARINGS:</b>	
<i>Upper</i> .....	Single Row, Ball, Oil Lubricated
<i>Load</i> .....	Radial
<i>Lower</i> .....	Single Row, Ball, Oil Lubricated
<i>Load</i> .....	Radial
<i>Life</i> .....	50,000 HR L10 Design
<b>MOTOR:</b>	
<i>Design</i> .....	NEMA L- Single Phase, NEMA B - Three Phase Torque Curve, Oil Filled, Squirrel Cage Induction
<i>Winding</i> .....	Class F, Class H rated Magnet Wire
<i>Service Factor</i> .....	1.15
<b>SINGLE PHASE</b> .....	Capacitor Start/Capacitor Run. Requires Barnes Starter/Panel which includes capacitors and overload protection
<b>THREE PHASE</b> .....	Dual Voltage motor 230/460/575. Requires Overload Protection to be included in Control Panel, VFD Suitable
<b>MOISTURE SENSOR</b> .....	Normally Open (N/O), Requires relay in control panel
<b>TEMPERATURE SENSOR</b> ..	Normally Closed (N/C), Requires relay in control panel.
<b>OPTIONAL EQUIPMENT</b> .....	Seal Material, Impeller Trims, Additional Cord, Epoxy Paint

#### RECOMMENDED:

<i>Accessories</i> .....	Break Away Fitting (BAF) Check Valve Control Panel
<i>Seal Kit PN</i> .....	130179
<i>Service Kit PN</i> .....	130175



### Series: 4SEV-DS, 4.5 - 15HP, 1750RPM, 60Hz



#### DESCRIPTION:

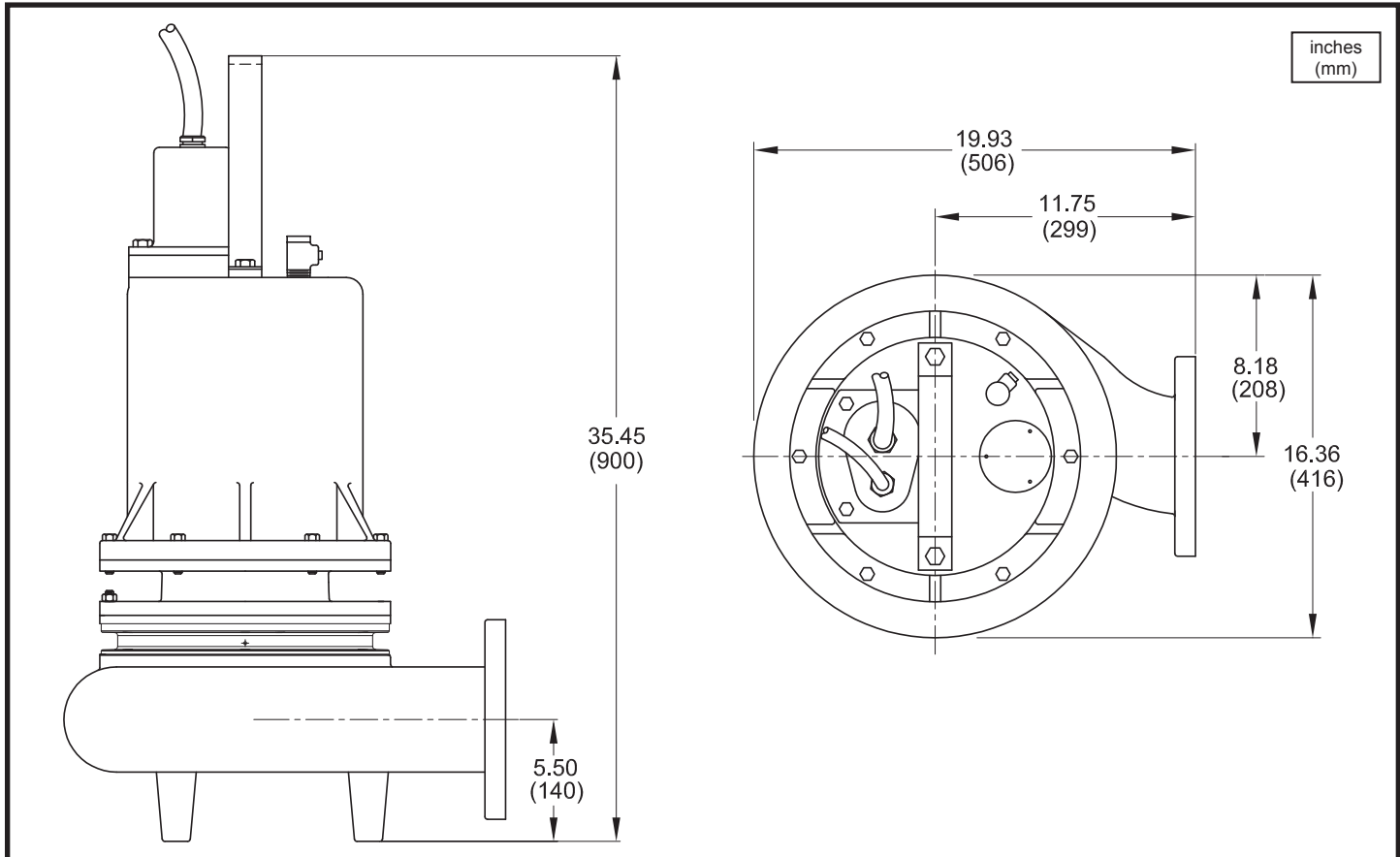
SUBMERSIBLE NON-CLOG SEWAGE PUMP  
DESIGNED FOR TYPICAL RAW SEWAGE  
APPLICATIONS

# Series 4SEV-DS

3" Spherical Solids Handling  
Vortex

# BARNES®

www.cranepumps.com



MODEL NO	PART NO	HP	VOLT/PH	Hz	RPM (Nom)	NEMA START CODE	FULL LOAD AMPS	LOCKED ROTOR AMPS	CORD SIZE	CORD TYPE	CORD O.D inch (mm)
4SEV4524DS	140226	4.5	230/1	60	1750	A	26.0	59.0	10/4	SOW	0.750 (19.1)
4SEV4564DS	140227	4.5	200/3	60	1750	C	20.9	48.6	10/4	SOW	0.750 (19.1)
4SEV4534DS	140228	4.5	230/3	60	1750	E	18.2	56.0	10/4	SOW	0.750 (19.1)
4SEV4544DS	140229	4.5	460/3	60	1750	E	9.1	28.0	10/4	SOW	0.750 (19.1)
4SEV4554DS	140230	4.5	575/3	60	1750	E	7.2	22.4	10/4	SOW	0.750 (19.1)
4SEV7524DS	140231	7.5	230/1	60	1750	A	39.0	96.0	6/4	SOW	1.06 (27)
4SEV7564DS	140232	7.5	200/3	60	1750	B	30.8	69.5	8/4	SOW	0.830 (21)
4SEV7534DS	140233	7.5	230/3	60	1750	D	26.8	80.0	8/4	SOW	0.830 (21)
4SEV7544DS	140234	7.5	460/3	60	1750	D	13.4	40.0	8/4	SOW	0.830 (21)
4SEV7554DS	140235	7.5	575/3	60	1750	D	10.7	32.0	10/4	SOW	0.750 (19.1)
4SEV11364DS	140236	11.3	200/3	60	1750	B	32.2	109.5	8/4	SOW	0.830 (21)
4SEV11334DS	140237	11.3	230/3	60	1750	D	28.0	126.0	8/4	SOW	0.830 (21)
4SEV11344DS	140238	11.3	460/3	60	1750	D	14.0	63.0	8/4	SOW	0.830 (21)
4SEV11354DS	140239	11.3	575/3	60	1750	D	11.2	50.4	10/4	SOW	0.750 (19.1)
4SEV15034DS	140240	15.0	230/3	60	1750	D	38.0	160.0	6/4	SOW	1.06 (27)
4SEV15044DS	140241	15.0	460/3	60	1750	D	19.0	80.0	6/4	SOW	1.06 (27)
4SEV15054DS	140242	15.0	575/3	60	1750	D	15.2	64.0	8/4	SOW	0.830 (21)

Moisture/Temperature sensor cord for all phase models is 18/5 SOW, 0.476 (12.1mm) O.D.

### IMPORTANT !

- 1.) PUMP MAY BE OPERATED "DRY" FOR EXTENDED PERIODS WITHOUT DAMAGE TO MOTOR AND/OR SEALS.
- 2.) INSTALLATIONS SUCH AS DECORATIVE FOUNTAINS OR WATER FEATURES PROVIDED FOR VISUAL ENJOYMENT MUST BE INSTALLED IN ACCORDANCE WITH THE NATIONAL ELECTRIC CODE ANSI/NFPA 70 AND/OR THE AUTHORITY HAVING JURISDICTION. THIS PUMP IS NOT INTENDED FOR USE IN SWIMMING POOLS, RECREATIONAL WATER PARKS, OR INSTALLATIONS IN WHICH HUMAN CONTACT WITH PUMPED MEDIA IS A COMMON OCCURRENCE.

SECTION 1D  
PAGE 30  
DATE 10/16

## CRANE®

A Crane Co. Company

## PUMPS & SYSTEMS

USA: (937) 778-8947 • Canada: (905) 457-6223 • International: (937) 615-3598

### 4" Horizontal Discharge - Submersible Non-Clog Pumps

