

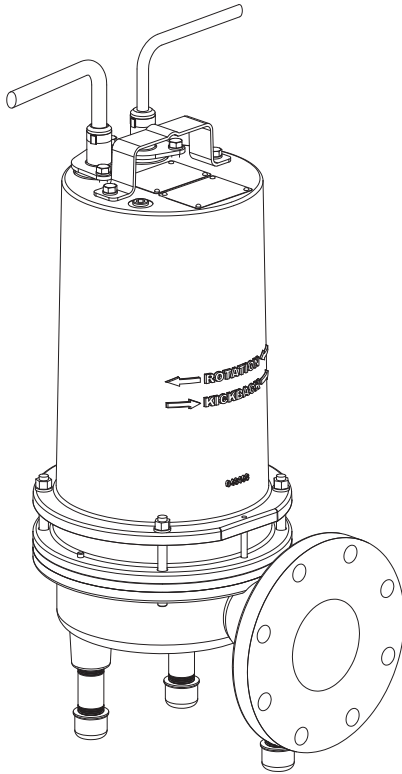
Series 4SE-L

1½" Spherical Solids Handling

BARNES®

www.cranepumps.com

4" Horizontal Discharge - Submersible Non-Clog Pumps



**Series: 4SE-L 5HP,
3450RPM, 60Hz**



CSA 108 - File No. L16567

Sample Specifications: Section 1 Page 11.

DESCRIPTION:

SUBMERSIBLE NON-CLOG SEWAGE PUMP
DESIGNED FOR TYPICAL RAW SEWAGE
APPLICATIONS

DISCHARGE 4" 125lb., Flange Horizontal
LIQUID TEMPERATURE 104°F (40°C) Continuous
VOLUTE Cast Iron ASTM A-48, Class 20
MOTOR HOUSING Cast Iron ASTM A-48, Class 30
SEAL PLATE Cast Iron ASTM, Class 30
IMPELLER: Design 2 Vane, semi-open with pump out vanes on back side, Dynamically Balanced, ISO G6.3
Material Cast Iron, Class 30
SHAFT 416 Stainless Steel
SQUARE RINGS Buna-N
DIAPHRAGM Buna-N
HARDWARE 300 Series Stainless Steel
LIFTING BAIL 304 Stainless Steel
PAINT Air Dry Enamel (Epoxy Optional)
SEAL: Design Double Mechanical, Oil filled, Pressure Equalized Reservoir
Material Carbon/Ceramic/Buna-N
Hardware - 300 Series Stainless
CORD ENTRY 30 ft. (9.1 m) Cord. Quick connect custom molded for sealing and strain relief
SPEED 3450 RPM (Nominal)
BEARINGS: Upper Single Row, Ball, Oil Lubricated
Load Radial
Lower Single Row, Ball, Oil Lubricated
Load Radial
Life 50,000 HR L10 Design
MOTOR: Design NEMA B - Three Phase, Torque Curve, Oil Filled, Squirrel Cage Induction
Winding Class B, Class H rated Magnet Wire
Service Factor. 1.15
THREE PHASE Dual Voltage motor 230/460. 575.
Requires Overload Protection to be included in Control Panel, VFD Suitable
MOISTURE SENSOR Normally Open (N/O), Requires relay in control panel
TEMPERATURE SENSOR .. Normally Closed (N/C), Requires relay in control panel.
OPTIONAL EQUIPMENT Seal Material, Impeller Trims, Additional Cord, Epoxy Paint

RECOMMENDED:

Accessories..... Break Away Fitting (BAF)
Check Valve
Control Panel
Seal Kit PN 130178
Service Kit PN. 130174

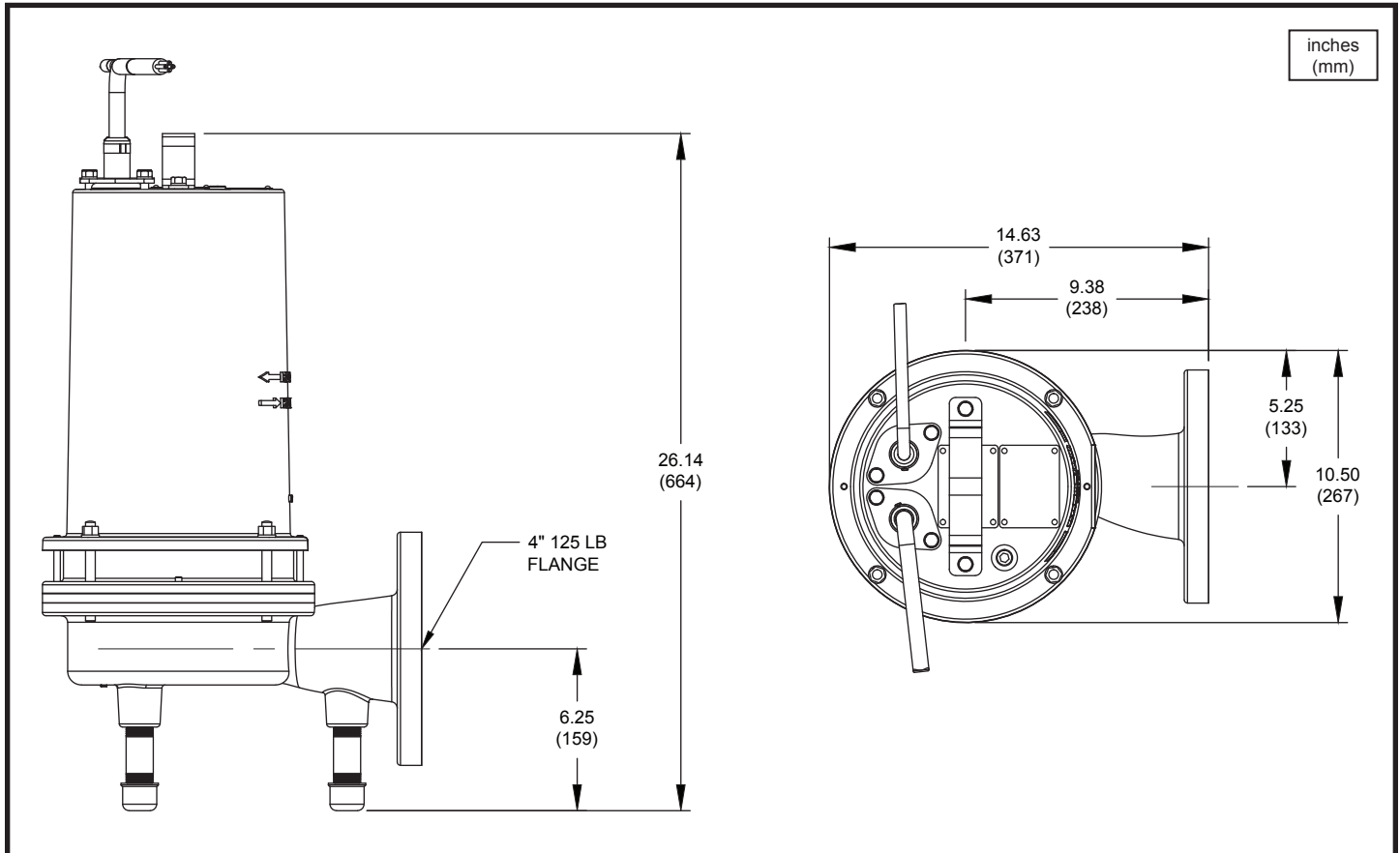
SECTION 1D
PAGE 36
DATE 7/12

CRANE
A Crane Co. Company

PUMPS & SYSTEMS

USA: (937) 778-8947 • Canada: (905) 457-6223 • International: (937) 615-3598

4" Horizontal Discharge - Submersible Non-Clog Pumps



MODEL NO	PART NO	HP	VOLT/PH	Hz	RPM (Nom)	NEMA START CODE	FULL LOAD AMPS	LOCKED ROTOR AMPS	CORD SIZE	CORD TYPE	CORD O.D inch (mm)
4SE5032L	133156	5.0	230/3	60	3450	B	16.4	40.0	12/4	SOOW/SOW	.68 (17.4)
4SE5042L	133157	5.0	460/3	60	3450	B	8.2	20.0	14/4	SOOW/SOW	.57 (14.5)
4SE5052L	133158	5.0	575/3	60	3450	B	6.5	16.0	14/4	SOOW/SOW	.57 (14.5)

Moisture/Temperature sensor cord for all models is 18/5 SOOW/SOW, 0.47 (11.9mm) O.D.

IMPORTANT !

- 1.) PUMP MAY BE OPERATED "DRY" FOR EXTENDED PERIODS WITHOUT DAMAGE TO MOTOR AND/OR SEALS.
- 2.) INSTALLATIONS SUCH AS DECORATIVE FOUNTAINS OR WATER FEATURES PROVIDED FOR VISUAL ENJOYMENT MUST BE INSTALLED IN ACCORDANCE WITH THE NATIONAL ELECTRIC CODE ANSI/NFPA 70 AND/OR THE AUTHORITY HAVING JURISDICTION. THIS PUMP IS NOT INTENDED FOR USE IN SWIMMING POOLS, RECREATIONAL WATER PARKS, OR INSTALLATIONS IN WHICH HUMAN CONTACT WITH PUMPED MEDIA IS A COMMON OCCURRENCE.

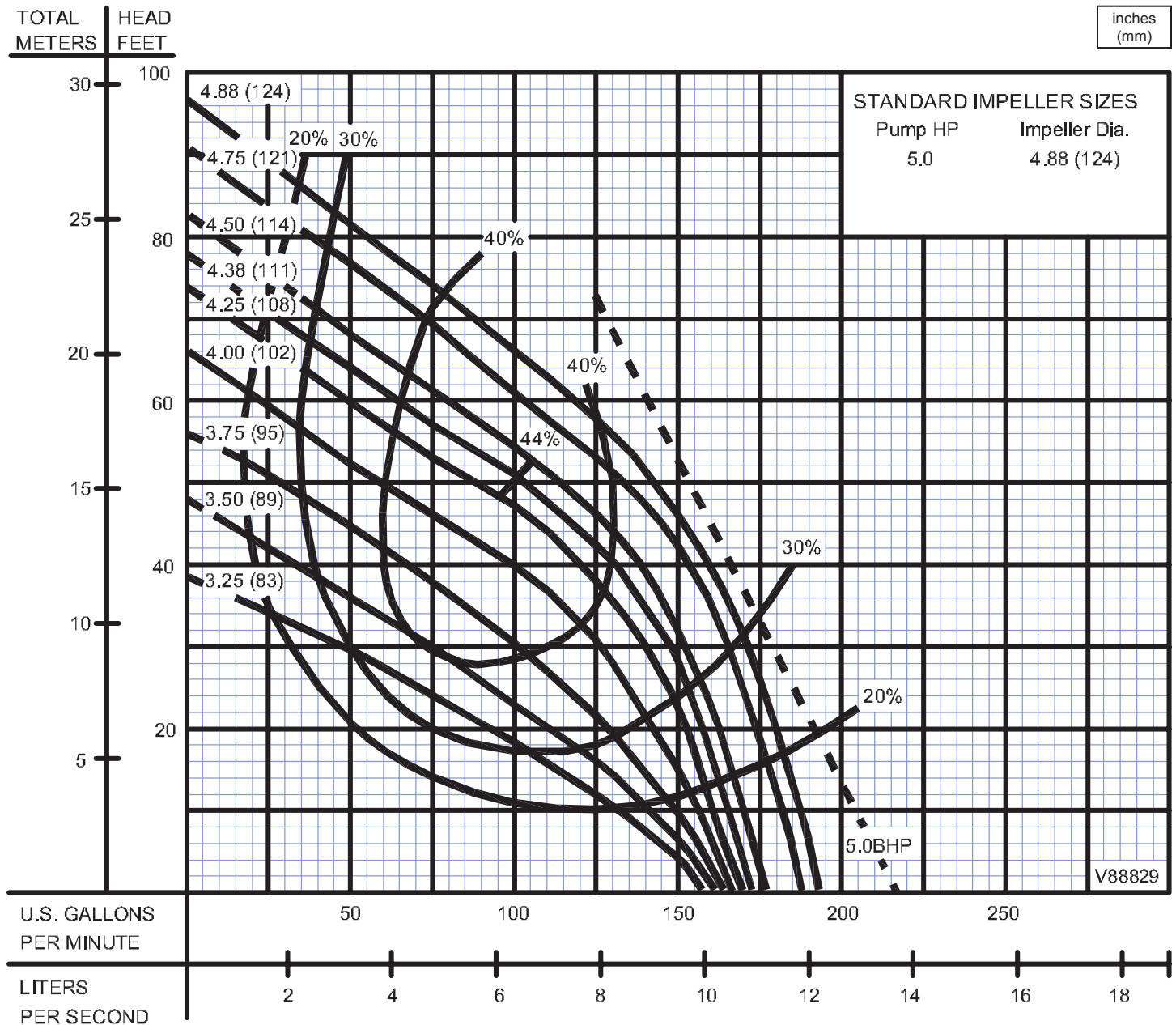
Series 4SE-L

Performance Curve
5.0HP, 3450RPM, 60Hz

BARNES®

www.cranepumps.com

4" Horizontal Discharge - Submersible Non-Clog Pumps



Testing is performed with water, specific gravity 1.0 @ 68° F @ (20°C), other fluids may vary performance

SECTION 1D
PAGE 38
DATE 8/06

CRANE
A Crane Co. Company

PUMPS & SYSTEMS

USA: (937) 778-8947 • Canada: (905) 457-6223 • International: (937) 615-3598